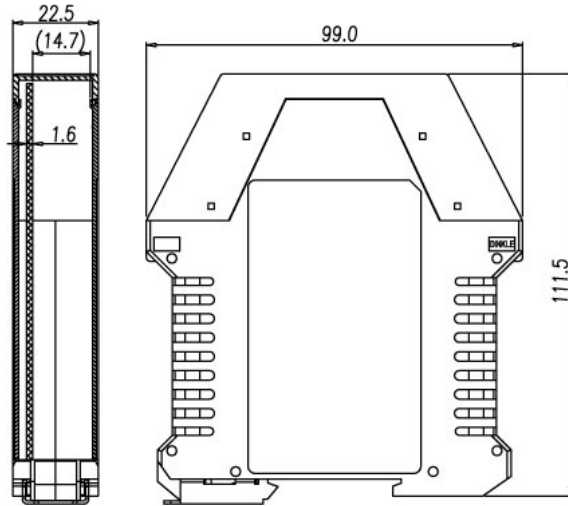


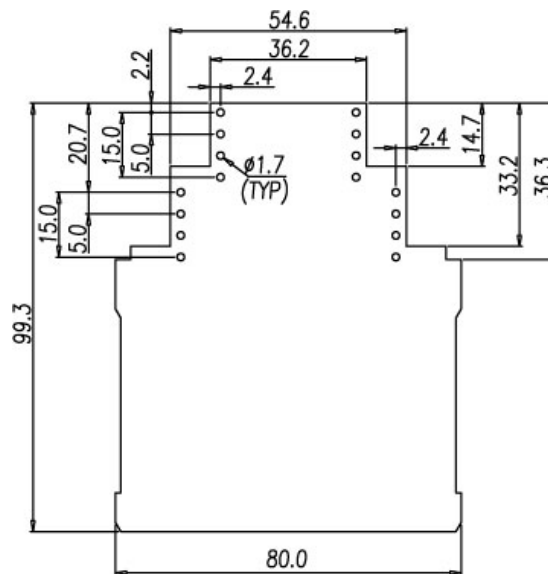
Interface Module / Electronics Enclosures



**DMEN-S4PGG (DMEN-S4PGG-PE)**

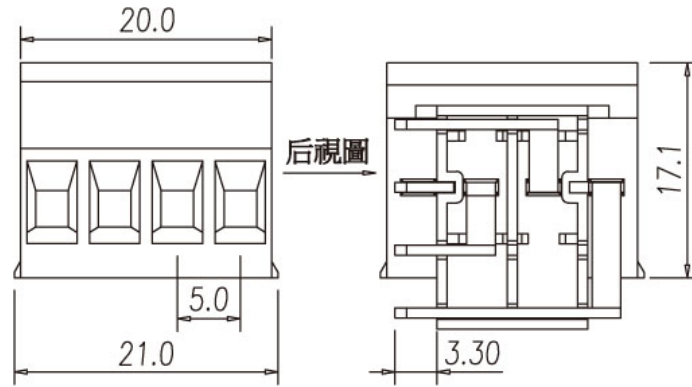


Technical Data	
Pole Size	16
PCB Set	1
Terminal Block	5ES-4PR.4PL
Solid wire(AWG)	28~12
Stranded wire(AWG)	28~12
Wire strip length	7~8mm

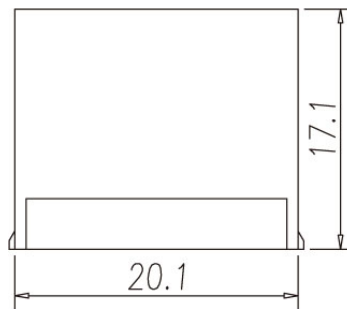


Accessories

suitable plug / 5ES-4P



suitable plug / 5ES-4PC



suitable plug / 0073-B015

