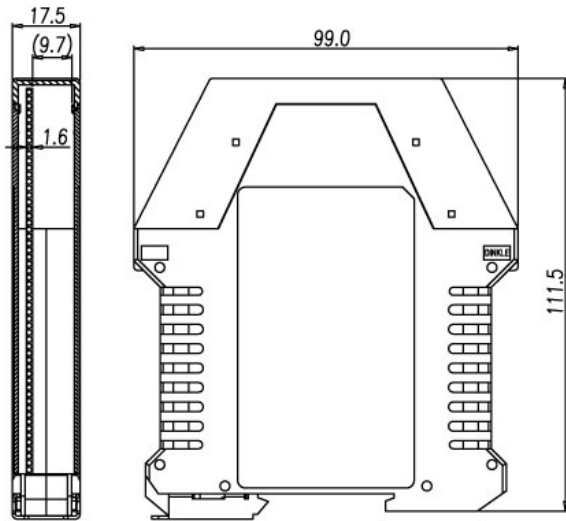


Interface Module / Electronics Enclosures

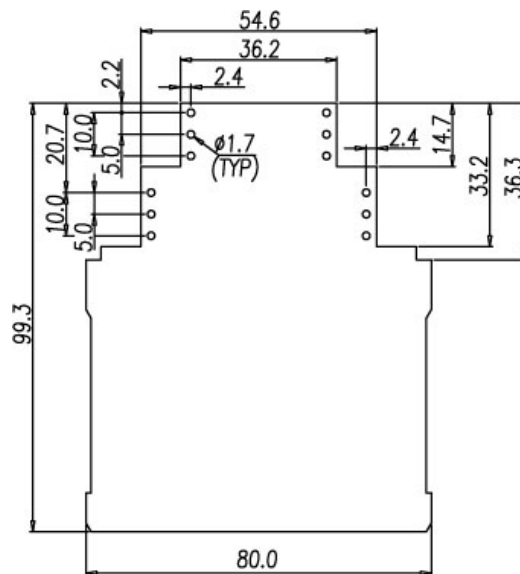


DMEN-S3PGG (DMEN-S3PGG-PE)



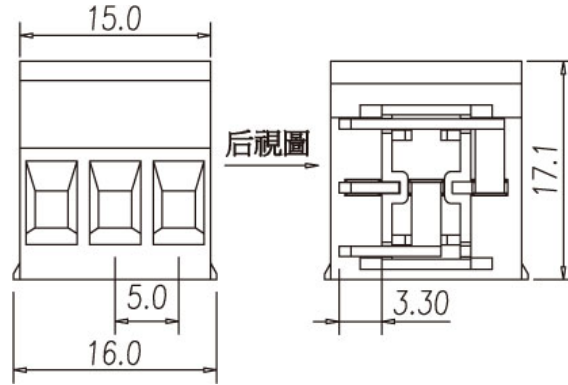
Technical Data

Pole Size	12
PCB Set	1
Terminal Block	5ES-3PR.3PL
Solid wire(AWG)	28~12
Stranded wire(AWG)	28~12
Wire strip length	7~8mm

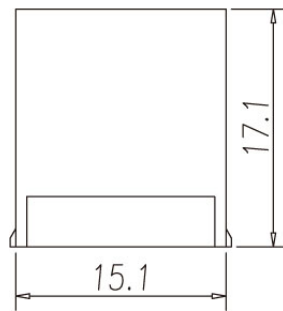


Accessories

suitable plug / 5ES-3P



suitable plug / 5ES-3PC



suitable plug / 0073-B015

