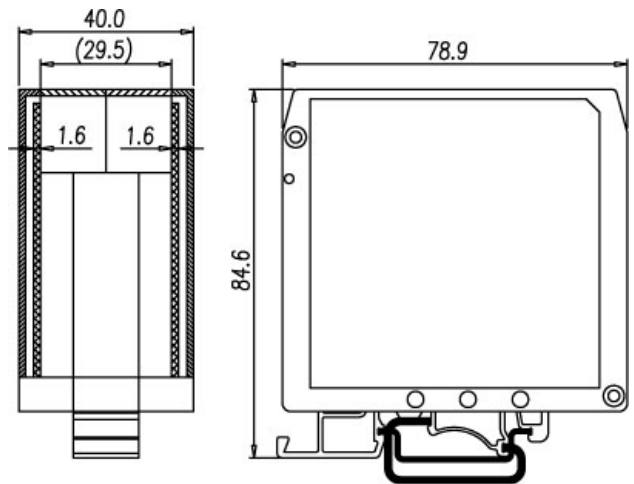




**DEGM-06P**



Technical Data

Pole Size	12
PCB Set	2
Terminal Block	DEGM-TB3P
Solid wire(AWG)	24-12
Stranded wire(AWG)	24-12
Wire strip length	7~8mm

