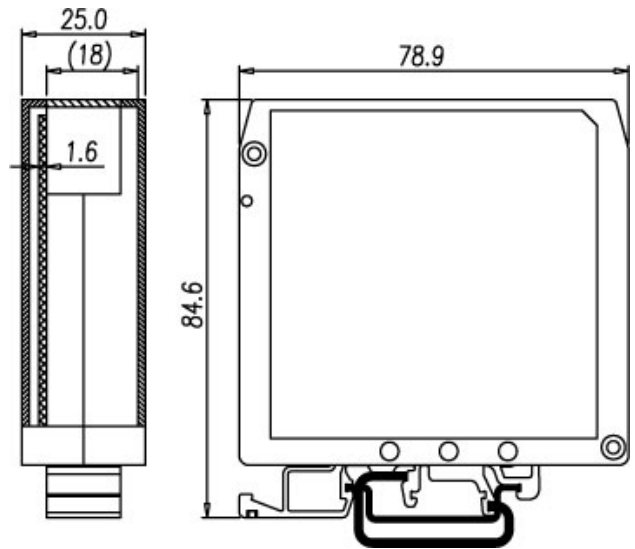


Interface Module / Electronics Enclosures

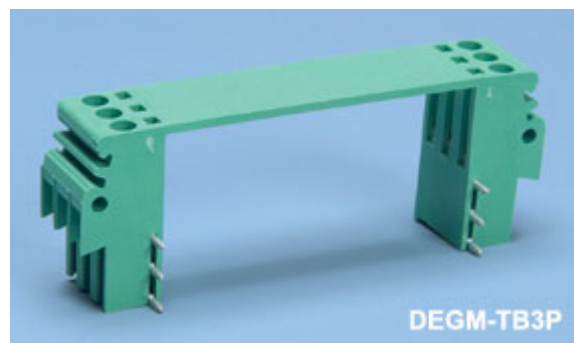
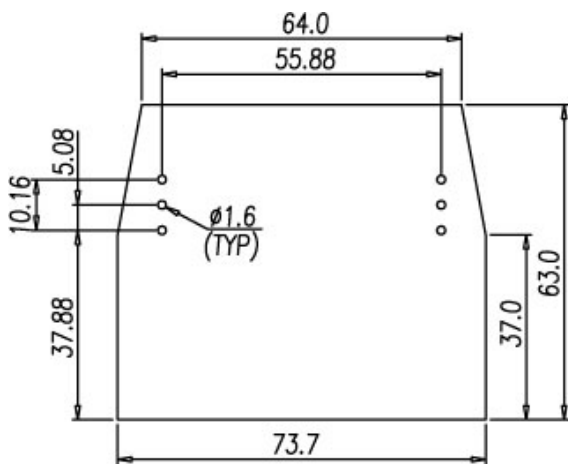


DEGM-03P



Technical Data

Pole Size	6
PCB Set	1
Terminal Block	DEGM-TB3P
Solid wire(AWG)	24-12
Stranded wire(AWG)	24-12
Wire strip length	7~8mm



DEGM-TB3P

TEL: +886-2-2908-0614

FAX: +886-2-2908-8549

E-mail: infor@dinkle.com.tw