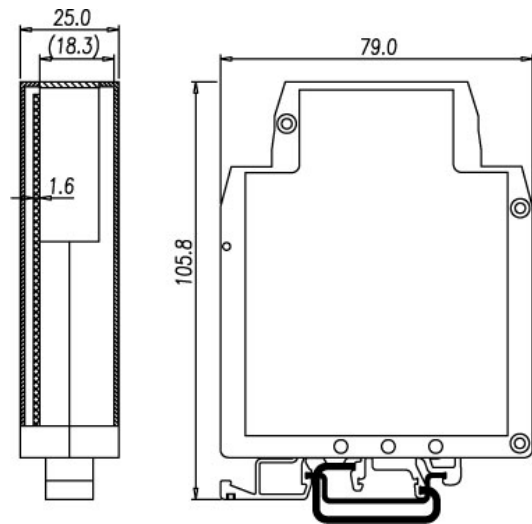


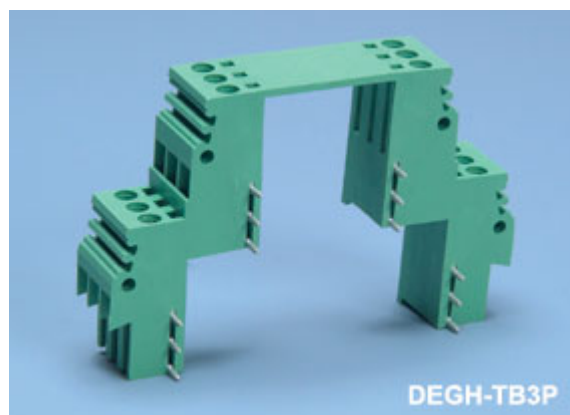
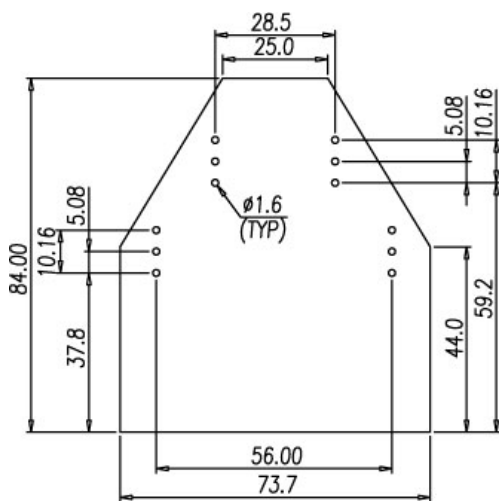


DEGH-03P



Technical Data

Pole Size	12
PCB Set	1
Terminal Block	DEGH-TB3P
Solid wire(AWG)	24~14
Stranded wire(AWG)	24~14
Wire strip length	7~8mm



DEGH-TB3P

TEL: +886-2-2908-0614

FAX: +886-2-2908-8549

E-mail: infor@dinkle.com.tw