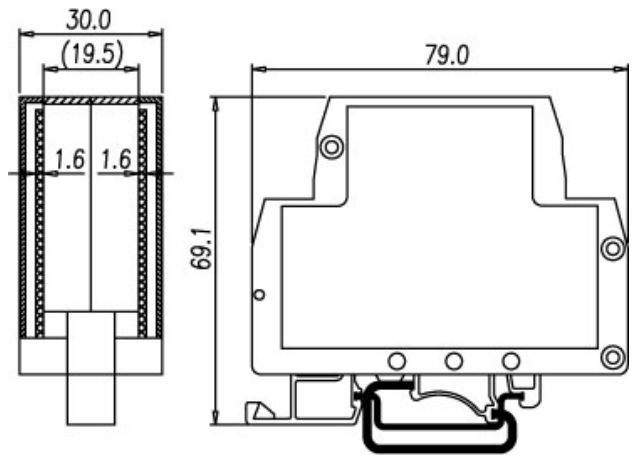


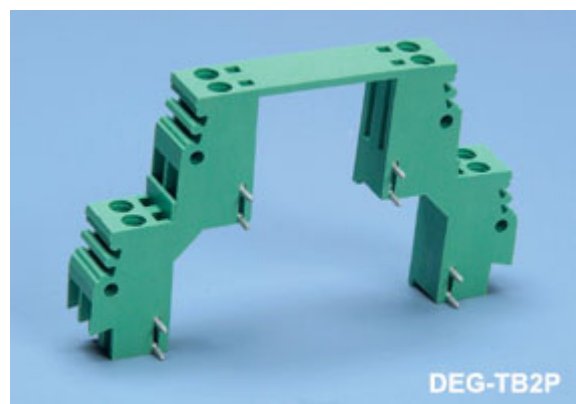
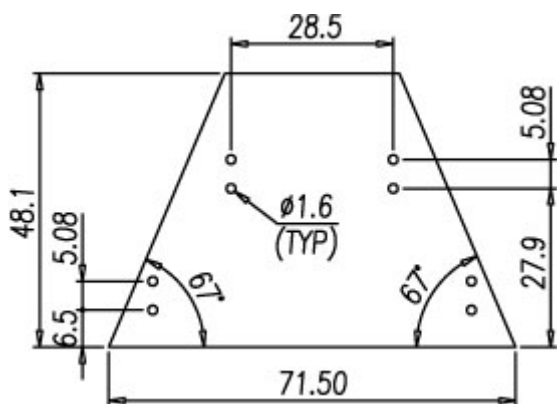


DEG-04P



Technical Data

Pole Size	16
PCB Set	2
Terminal Block	DEG-TB2P
Solid wire(AWG)	24-12
Stranded wire(AWG)	24-12
Wire strip length	7~8mm



DEG-TB2P