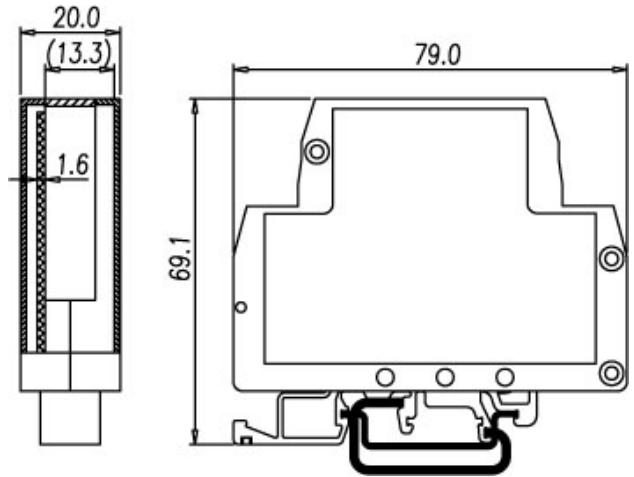
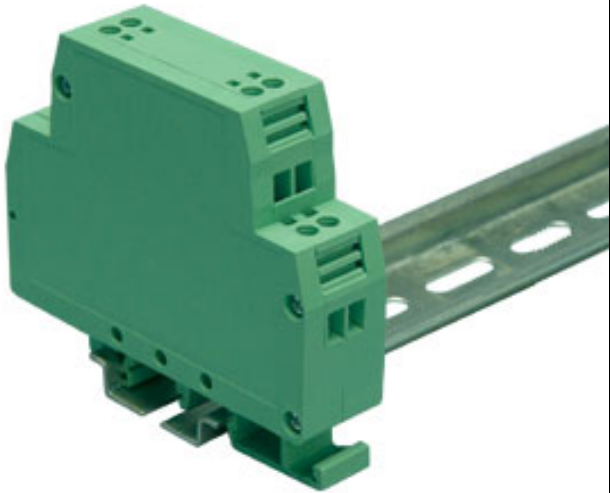




**DEG-02P**



Technical Data

Pole Size	8
PCB Set	1
Terminal Block	DEG-TB2P
Solid wire(AWG)	24-12
Stranded wire(AWG)	24-12
Wire strip length	7~8mm

