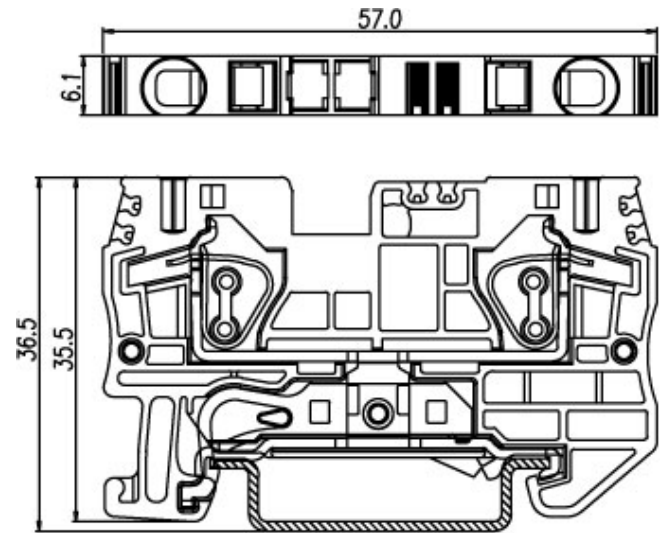
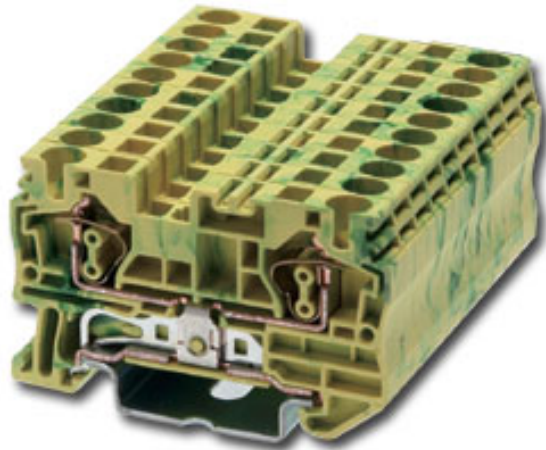


Spring Type DIN Rail Terminal Blocks / AK-PE series



AK4-PE



Approval	Pending	
Technical Data	UL	IEC
Rated voltage		
Rated current	25A	32A
Conductor cross-section, solid (AWG / mm ²)	28~10 / 0.5~4	
Conductor cross-section, flexible (AWG / mm ²)	28~10 / 0.5~4	
Rated impulse withstand voltage		
Torque (N-m)		
Screw		
Wire strip length	10mm	
Insulating material	PA	
TxHxW (mm)	6.1 x 35.5 x 57	
Optional color	Cat. No.	
●		
●		
●		
●		



	Accessories	Cat. No.
End cover		AK4C-YG
Partition		
Small partition		
Insertion bridge		
Insertion bridge		
Screw-on bridge		
Marking label		TM21 / TM37
Mounting Rail		TS-35
Tool		0.6 x 3.5mm