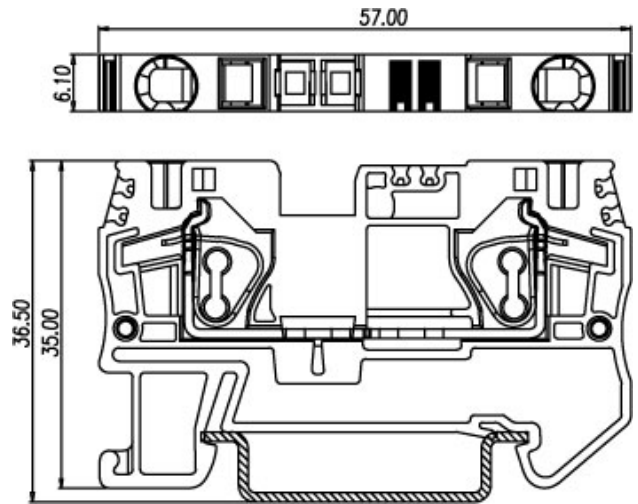
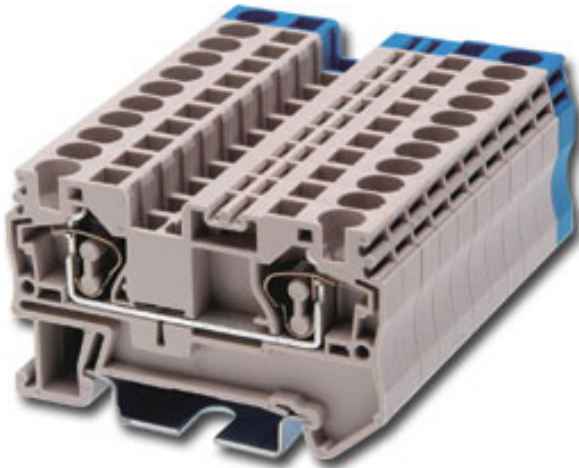




Spring Type DIN Rail Terminal Blocks / AK series



AK4



Approval	 	
Technical Data	UL	IEC
Rated voltage	600V	800V
Rated current	25A	32A
Conductor cross-section, solid (AWG / mm ²)	28~10 / 0.5~4	
Conductor cross-section, flexible (AWG / mm ²)	28~10 / 0.5~4	
Rated impulse withstand voltage	6KV	
Torque (N-m)		
Screw		
Wire strip length	10mm	
Insulating material	PA	
TxHxW (mm)	6.1 x 35 x 57	
Optional color	Cat. No.	
●		
●	AK4-BL	
●		
●		



	Accessories	Cat. No.
End cover		AK4C
Partition		AKSPS-001
Small partition		
Insertion bridge	2 way	DSD01-402
	3 way	DSD01-403
	4 way	DSD01-404
	5 way	DSD01-405
	10 way	DSD01-410
	20 way	DSD01-420
Insertion bridge		
Screw-on bridge		
Marking label		TM21 / TM37
Mounting Rail		TS-35
Tool		0.6 x 3.5mm