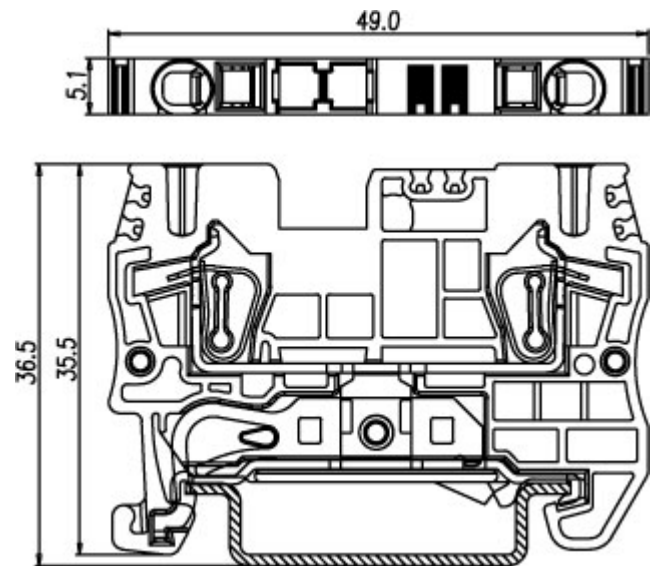
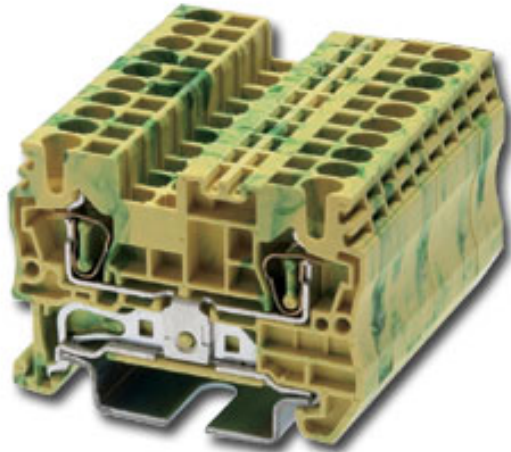


Spring Type DIN Rail Terminal Blocks / AK-PE series



**AK2.5-PE**



Approval	Pending	
Technical Data	UL	IEC
Rated voltage		
Rated current	20A	24A
Conductor cross-section, solid (AWG / mm <sup>2</sup> )	30~12 / 0.5~2.5	
Conductor cross-section, flexible (AWG / mm <sup>2</sup> )	30~12 / 0.5~2.5	
Rated impulse withstand voltage		
Torque (N-m)		
Screw		
Wire strip length	10mm	
Insulating material	PA	
TxHxW (mm)	5.1 x 35.5 x 49	
Optional color	Cat. No.	
●		
●		
●		
●		



	Accessories	Cat. No.
End cover		AK2.5C-YG
Partition		
Small partition		
Insertion bridge		
Insertion bridge		
Screw-on bridge		
Marking label		TM20 / TM36
Mounting Rail		TS-35
Tool		0.6 x 3.5mm