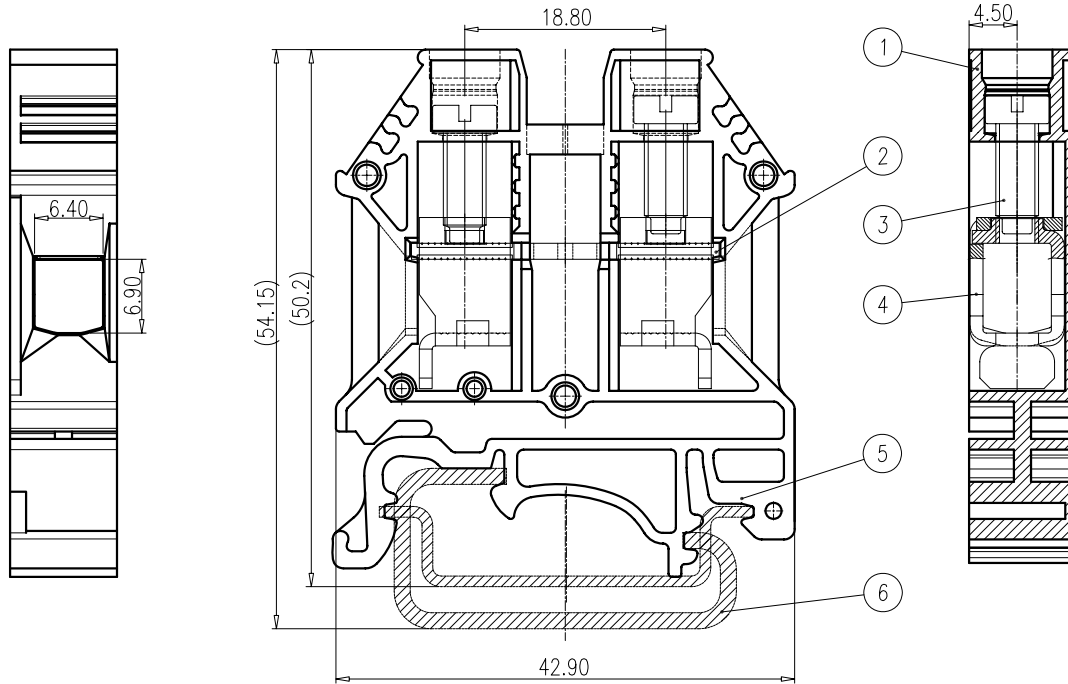
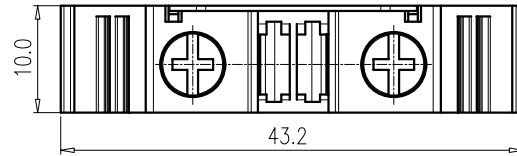


Normal Geometric Tolerancing				
—	//	≡	⊥	
0 to 100	0.2	0.3	0 to 10	0.2
over 100 to 150	0.3		over 10	0.3
over 150	0.5			
Total Pitch Tolerances		Normal dimension Tolerances		
0<U≤30	±0.20	0~30	±0.25	
30<U≤53	±0.25	over 30~53	±0.30	
53<U≤70	±0.30	over 53~70	±0.35	
70<U≤90	±0.35	over 70~90	±0.44	
90<U≤115	±0.44	over 90~115	±0.55	
115<U≤150	±0.55	over 115~150	±0.70	



NOTES:

1. Rating: UL 600V 60A
IEC 1000V 57A
2. Insulation Withstands Voltage:
AC 2200V at 1 minute
3. Insulation Resistance:
500MΩ or more at DC500V
4. Using Temperature Range:
-40°C~+105°C
5. Screw Torque Value: 1.3 N·m
6. Suitable Electric Wire: UL 20~6 AWG
(IEC 0.5~10mm²)
7. RoHS Compliance

6	MOUNYING RAIL	此為模擬件	
5	MOUNYING RAIL		
4	WIRE CAGE	STELL	Zn Plated
3	SCREW	STELL	Zn Plated
2	CONDUCTOR	COPPER-ALLOY	Tin Plated
1	HOUSING	PA66	UL94-V0 GREY
ITEM	NAME OF PART	MATERIAL	NOTES

DWG.	JUN.LI	DATE	12.10.10	UNITS	MM	SHEET/OF	1 / 1
CHK.		DATE		SCALE	2:1 (:)		
APP.		DATE		NAME		DK10N	
				DINKLE ENTERPRISE CO.,LTD		DWG NO. SP-03-DK10N000	

REV.	CONTENT	CHK.	DATE