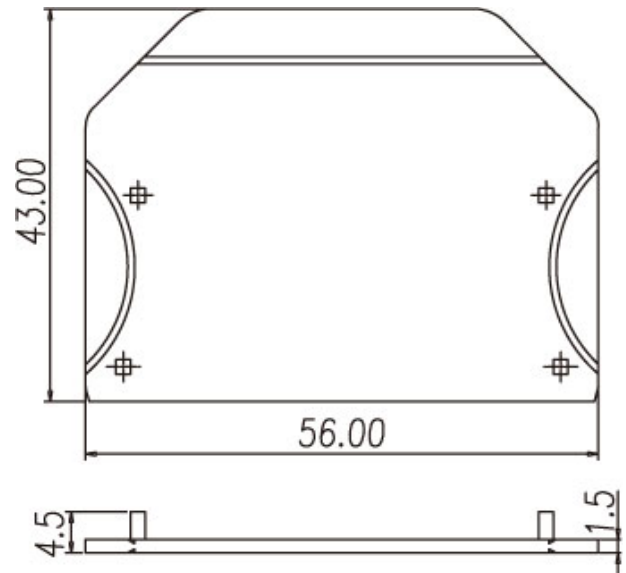


Accessory / Partition

DKSPS-002



Suitable type	DK2.5	DK4
	DK6	DK10
	KDK2.5	