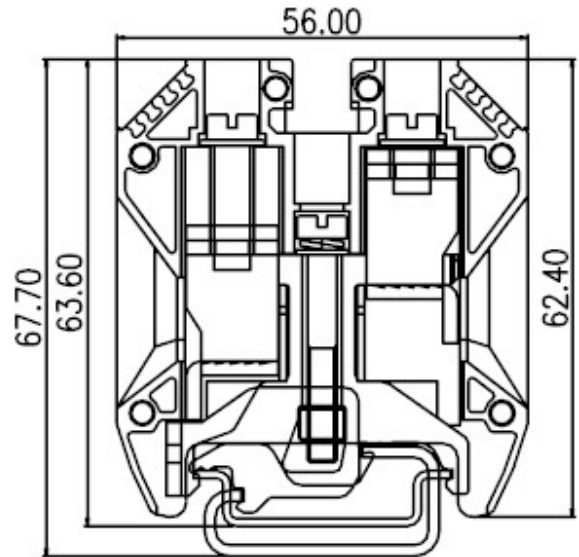
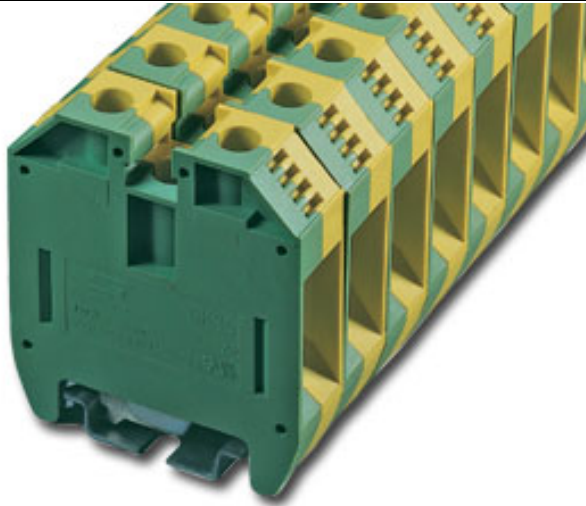




**DIN Rail terminal blocks / DK..-PE series**



**DK35-PE**



| Approval   |   |       |
|--|--|-------|
| Technical Data   | UL   | IEC   |
| Rated voltage  | 600V   | 1000V |
| Rated current  |  | 125A  |
| Conductor cross-section, solid (AWG / mm <sup>2</sup> )    | 12~2 / 4~35  |       |
| Conductor cross-section, flexible (AWG / mm <sup>2</sup> ) | 12~2 / 4~35  |       |
| Rated impulse withstand voltage                            | 8KV  |       |
| Torque (N-m)   | 5.6  |       |
| Screw  | M6   |       |
| Wire strip length  | 14~18mm  |       |
| Insulating material  | PA   |       |
| TxHxW (mm)   | 16 x 62.4 x 56   |       |
| Optional color   | Cat. No.   |       |
| ●  |  |       |
| ●  |  |       |
| ●  |  |       |
| ●  |  |       |



|                  | Accessories | Cat. No.      |
|------------------|-------------|---------------|
| End cover        |             |               |
| Partition        |             |               |
| Small partition  |             |               |
| Insertion bridge | 2 way       |               |
|                  | 3 way       |               |
|                  | 4 way       |               |
|                  | 10 way      |               |
| Insertion bridge | 2 way       |               |
|                  | 3 way       |               |
|                  | 4 way       |               |
|                  | 10 way      |               |
| Screw-on bridge  | 2 way       |               |
|                  | 3 way       |               |
|                  | 4 way       |               |
|                  | 10 way      |               |
| Marking label    |             | TM28          |
| Mounting Rail    |             | TS-35 / TS-32 |
| Tool             |             | 1.0 x 5.5mm   |
|                  |             |               |
|                  |             |               |
|                  |             |               |