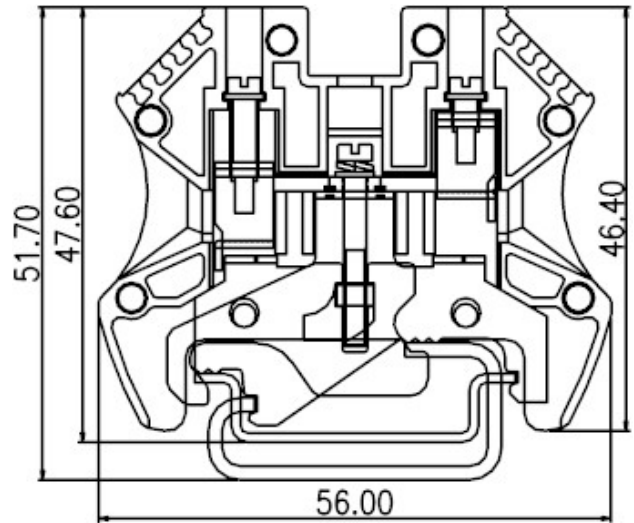
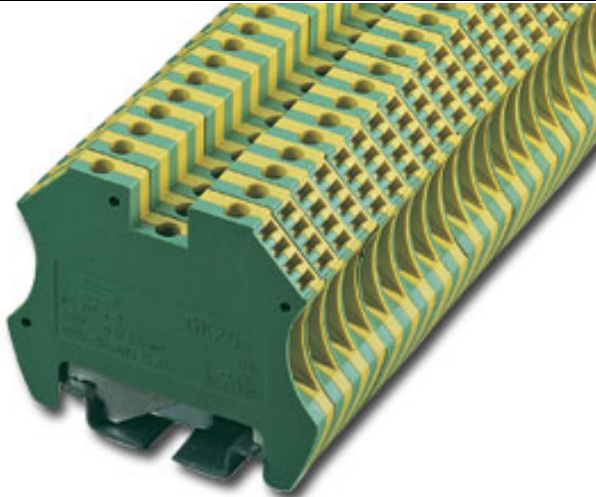


DIN Rail terminal blocks / DK..-PE series



DK2.5-PE



Approval		
Technical Data	UL	IEC
Rated voltage	600V	630V
Rated current		24A
Conductor cross-section, solid (AWG / mm ²)	26~12 / 0.5~2.5	
Conductor cross-section, flexible (AWG / mm ²)	26~12 / 0.5~2.5	
Rated impulse withstand voltage	8KV	
Torque (N-m)	0.8	
Screw	M3	
Wire strip length	10~14mm	
Insulating material	PA	
TxHxW (mm)	5.7 x 46.4 x 56	
Optional color	Cat. No.	
●		
●		
●		
●		



	Accessories	Cat. No.
End cover		
Partition		
Small partition		
Insertion bridge	2 way	
	3 way	
	4 way	
	10 way	
Insertion bridge	2 way	
	3 way	
	4 way	
	10 way	
Screw-on bridge	2 way	
	3 way	
	4 way	
	10 way	
Marking label		TM26
Mounting Rail		TS-35 / TS-32
Tool		0.5 x 3mm