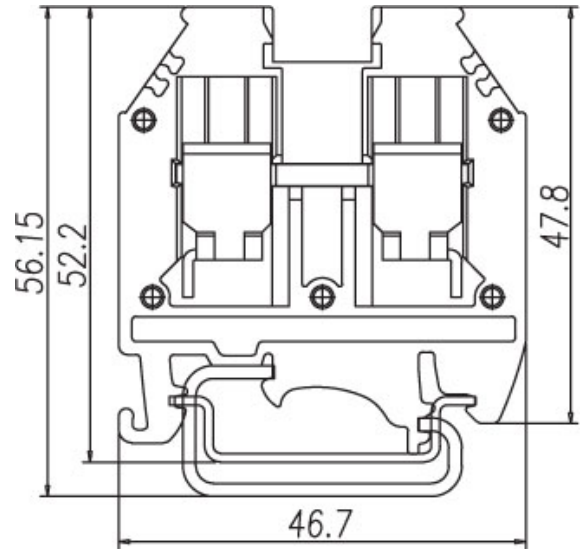
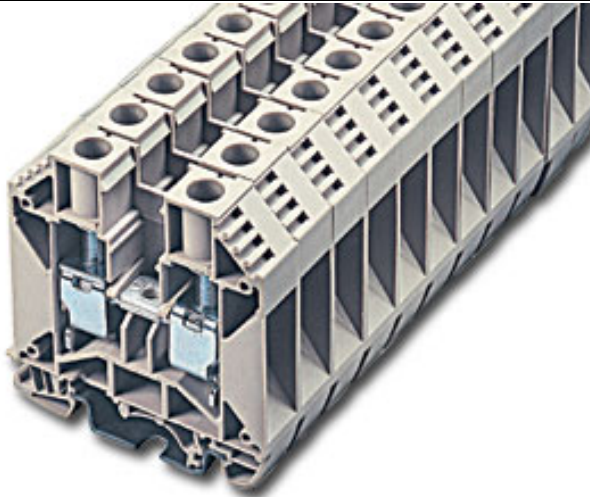




**DIN Rail terminal blocks / DK series**



**DK16H**



Approval	 	
Technical Data	UL	IEC
Rated voltage	600V	1000V
Rated current	100A	101A
Conductor cross-section, solid (AWG / mm <sup>2</sup> )	14~3 / 1.5~25	
Conductor cross-section, flexible (AWG / mm <sup>2</sup> )	14~3 / 1.5~25	
Rated impulse withstand voltage	8KV	
Torque (N-m)	3.4	
Screw	M5	
Wire strip length	13~15mm	
Insulating material	PA	
TxHxW (mm)	12 x 51.3 x 46.7	
Optional color	Cat. No.	
<span style="color: red;">●</span>	DK16H-RD	
<span style="color: blue;">●</span>	DK16H -BL	
<span style="color: black;">●</span>	DK16H -BK	
<span style="color: orange;">●</span>	DK16H -OR	



	Accessories	Cat. No.
End cover		DK16HC
Partition		
Small partition		DKSPS-003
Insertion bridge		
Insertion bridge	2 way	CSC-1602P
	:	:
	:	:
	10 way	CSC-1610P
Screw-on bridge	2 way	DS16-02P
	:	:
	:	:
	10 way	DS16-10P
Marking label		TM28
Mounting Rail		TS-35 / TS-32
Tool		1.0 x 5.5mm