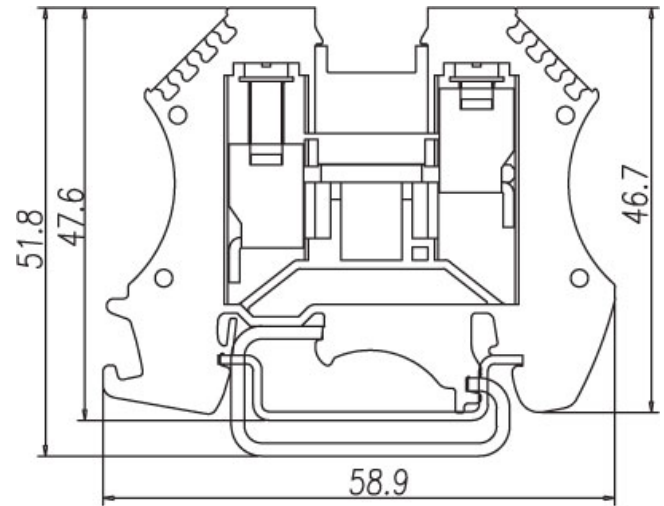
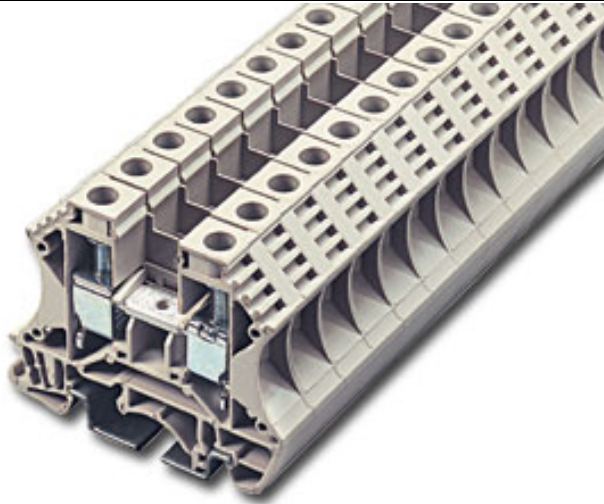


DIN Rail terminal blocks / DK series



DK10



Approval		
Technical Data	UL	IEC
Rated voltage	600V	500V
Rated current	60A	57A
Conductor cross-section, solid (AWG / mm ²)	20~6 / 0.5~10	
Conductor cross-section, flexible (AWG / mm ²)	20~6 / 0.5~10	
Rated impulse withstand voltage	8KV	
Torque (N-m)	1.2	
Screw	M4	
Wire strip length	12~14mm	
Insulating material	PA	
TxHxW (mm)	10 x 46.85 x 58.9	
Optional color	Cat. No.	
●	DK10-RD	
●	DK10-BL	
●	DK10-BK	
●	DK10-OR	



	Accessories	Cat. No.
End cover		DK2.5C
Partition		DKSPS-002
Small partition		DKSPS-001
Insertion bridge		
Insertion bridge	2 way	CSC-1002P
	3 way	CSC-1003P
	10 way	CSC-1010P
Screw-on bridge	2 way	DS10-02P
	:	:
	:	:
	10 way	DS10-10P
Marking label		TM28
Mounting Rail		TS-35 / TS-32
Tool		0.8 x 4mm