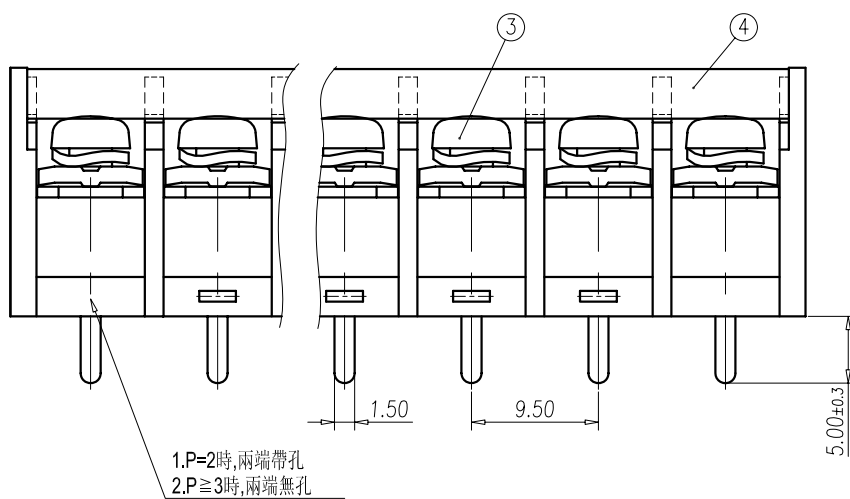
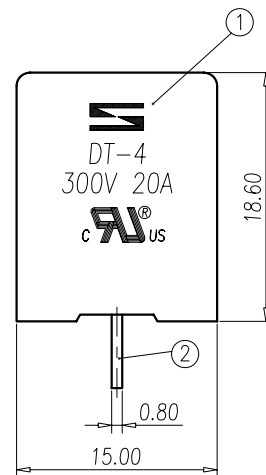


P.C.B. LAYOUT(REF)



1.P=2時,兩端帶孔  
2.P≥3時,兩端無孔



NOTES:

- Rating: UL: 300V 20A  
IEC: 500V 24A  
PITCH: 9.50mm
- Insulation Withstands Voltage: AC 2000V at 1 minute
- Insulation Resistance: 1000MΩ or more at DC500V
- Using Temperature Range: -40°C~+130°C
- Screw Torque Value: 1.2N·m
- Suitable Electric Wire: AWG 22~12 (IEC 0.2~1.5mm<sup>2</sup>)
- RoHS compliance

Normal Geometric Tolerancing			
—	//	≡	⊥
0 to 100	0.2	0 to 10	0.2
over 100 to 150	0.3	over 10	0.3
over 150	0.5		
Total Pitch Tolerances	Normal dimension Tolerances		
0<U≤30	±0.20	0~30	±0.25
30<U≤53	±0.25	over 30~53	±0.30
53<U≤70	±0.30	over 53~70	±0.35
70<U≤90	±0.35	over 70~90	±0.44
90<U≤115	±0.44	over 90~115	±0.55
115<U≤150	±0.55	over 115~150	±0.70
150<U≤200	±0.70	over 150~200	±0.85
200<U≤250	±0.85	over 200~250	±1.00
250<U≤320	±1.00	over 250~320	±1.20

P	2	3	4	5	6	7	8	9	10	11	12	13
U	9.50	19.0	28.5	38.0	47.5	57.0	66.5	76.0	85.5	95.0	104.5	114.0
V	21.5	31.0	40.5	50.0	59.5	69.0	78.5	88.0	97.5	107.0	116.5	126.0
P	14	15	16	17	18	19	20	21	22	23	24	25
U	123.5	133.0	142.5	152.0	161.5	171.0	180.5	190.0	199.5	209.0	218.5	228.0
V	135.5	145.0	154.5	164.0	173.5	183.0	192.5	202.0	211.5	221.0	230.5	240.0

4	COVER	PC	
3	SOLDER PIN	COPPER ALLOY	Tin Plated
2	SCREW	STEEL	M3.5 Ni Plated
1	HOUSING	PBT	UL94-V0 Black
ITEM	NAME OF PART	MATERIAL	NOTES

DWG.	HQY	DATE	14.07.04	UNITS	MM	SHEET/OF	1/1
CHK.		DATE		SCALE	2.5:1( : )		
APP.		DATE		NAME	DT-4C-B01W-XX		
				DINKLE ENTERPRISE CO.,LTD	DWG NO.	SP-03-DT4CB01W	

REV.	CONTENT	CHK.	DATE
△			