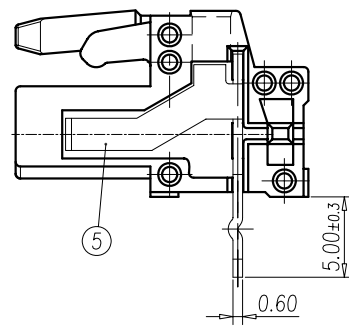
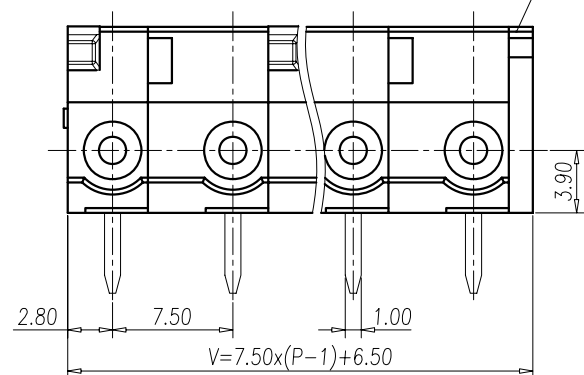
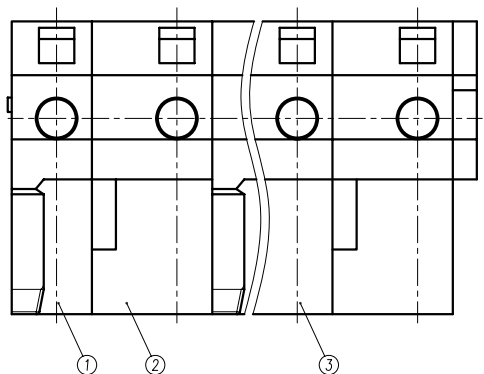
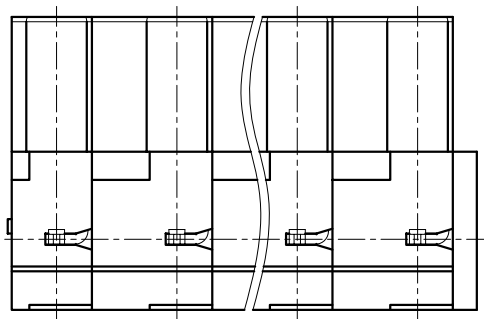
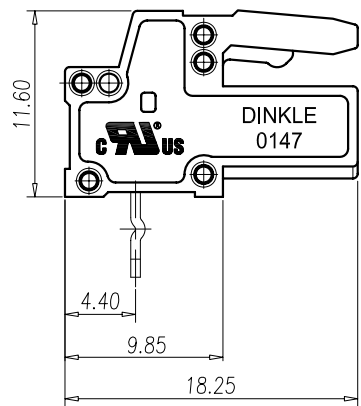


**PCB LAYOUT (REF)**



**NOTES:**

1. Rating: 300V 15A
2. Insulation Withstands Voltage: AC 2000V at 1 Minute
3. Insulation Resistance: 500MΩ or more at DC500V
4. Using Temperature Range: -40°C~+105°C
5. RoHS compliance



Normal Geometric Tolerancing			
—	//	≡	⊥
0 to 100	0.2	0 to 10	0.2
over 100 to 150	0.3	over 10	0.3
over 150	0.5		

Total Pitch Tolerances		Normal dimension Tolerances	
0<U≤30	±0.20	0~30	±0.25
30<U≤53	±0.25	over 30~53	±0.30
53<U≤70	±0.30	over 53~70	±0.35
70<U≤90	±0.35	over 70~90	±0.44
90<U≤115	±0.44	over 90~115	±0.55
115<U≤150	±0.55	over 115~150	±0.70
150<U≤200	±0.70	over 150~200	±0.85
200<U≤250	±0.85	over 200~250	±1.00
250<U≤320	±1.00	over 250~320	±1.20

ITEM	NAME OF PART	MATERIAL	NOTES
5	SOLDER PIN	COPPER ALLOY	Tin Plated
4	END COVER	PA66	UL94-V0 GRAY
3	HOUSING 3	PA66	UL94-V0 GRAY
2	HOUSING 2	PA66	UL94-V0 GRAY
1	HOUSING 1	PA66	UL94-V0 GRAY

DWG.	JZ.Li	DATE	2009.07.21	UNITS	MM	SHEET/OF	1 / 1
CHK.		DATE		SCALE	3:1 ( : )		
APP.		DATE		NAME	0147-31XX		
				DWG NO.	SP-03-014731XX		

REV.	CONTENT	CHK.	DATE