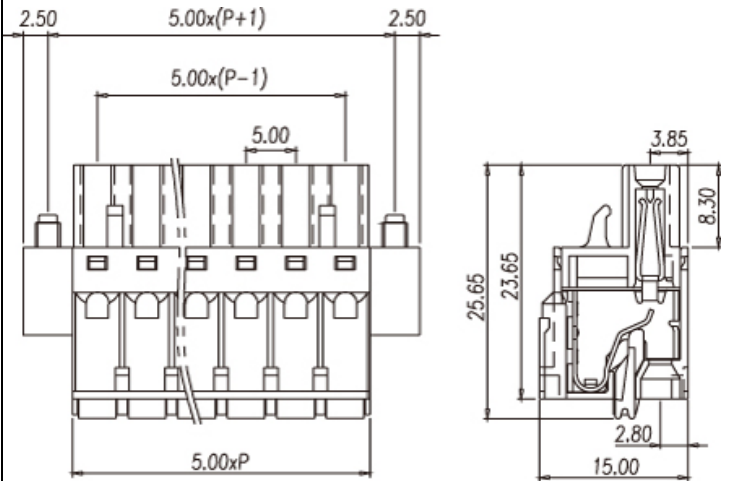
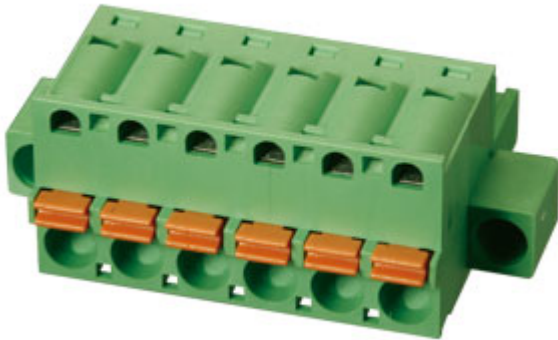


Plugs for pluggable terminal blocks / EC & ESD series



5ESDSRM



Pitch: 5.00mm

Approval		
Technical Data	UL	IEC
Rated voltage	300V	250V
Rated current	10A	12A
Conductor cross-section, solid (AWG/ mm ²)	26~12 / 0.5~2.5	
Conductor cross-section, flexible (AWG/ mm ²)	26~12 / 0.5~2.5	
Rated surge voltage (UL/IEC/Max.)	1.6 / 2 / KV	
Torque (N-m)		
Screw		
Wire strip length	8~9mm	
Pole	Cat. No.	
02	5ESDSRM-02P	
:	:	
:	:	
24	5ESDSRM-24P	

TEL: +886-2-2908-0614

FAX: +886-2-2908-8549

E-mail: info@dinkle.com.tw