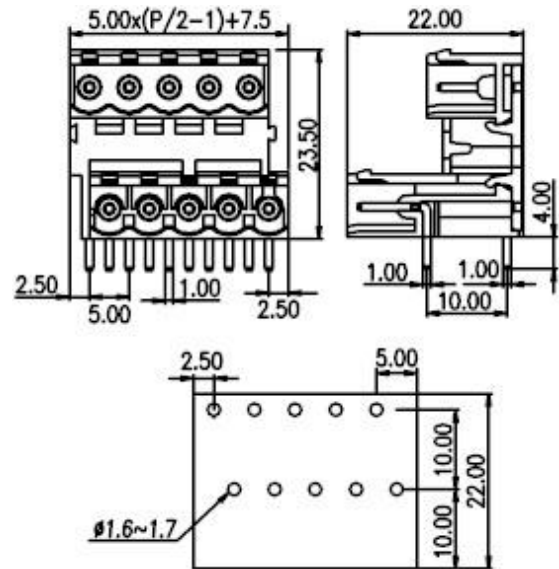




Headers(Sockets) for pluggable terminal blocks / ECH & EHD series



**5EEHDR**



**Pitch: 5.00mm**

Approval	 	
Technical Data	UL	IEC
Rated voltage	300V	600V
Rated current	15A	18A
Conductor cross-section, solid (AWG/ mm <sup>2</sup> )		
Conductor cross-section, flexible (AWG/ mm <sup>2</sup> )		
Rated surge voltage (UL/IEC/Max.)	1.6 / 4 / 4 KV	
Torque (N-m)		
Screw		
Wire strip length		
<b>Pole</b>	<b>Cat. No.</b>	
2x2	5EEHDR-04P	
:	:	
:	:	
24x2	5EEHDR-48P	

TEL: +886-2-2908-0614

FAX: +886-2-2908-8549

E-mail: info@dinkle.com.tw