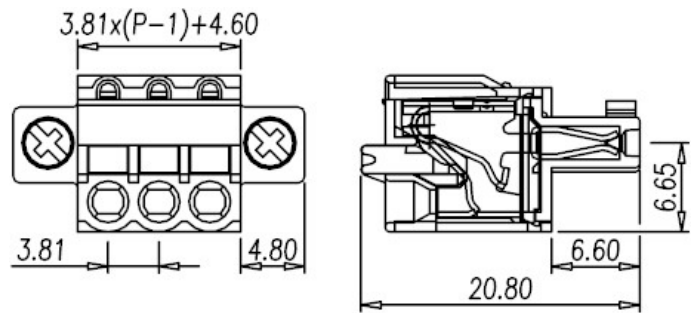
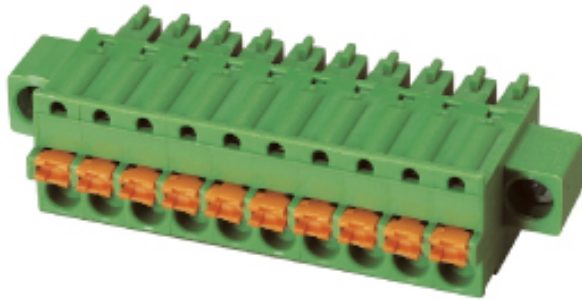


Spring plugs for pluggable terminal blocks / ESC & ESD series



**ESC381VM**



**Pitch: 3.81mm**

Approval		
Technical Data	UL	IEC
Rated voltage	300V	130V
Rated current	8A	8A
Conductor cross-section, solid (AWG/ mm <sup>2</sup> )	28~16 / 0.5~1.5	
Conductor cross-section, flexible (AWG/ mm <sup>2</sup> )	28~16 / 0.5~1.5	
Rated surge voltage (UL/IEC/Max.)	1.6 / 1.25 / KV	
Torque (N-m)		
Screw		
Wire strip length	7~8mm	
Pole	Cat. No.	
02	ESC381VM-02P	
:	:	
:	:	
20	ESC381VM-20P	

**TEL:** +886-2-2908-0614

**FAX:** +886-2-2908-8549

**E-mail:** info@dinkle.com.tw