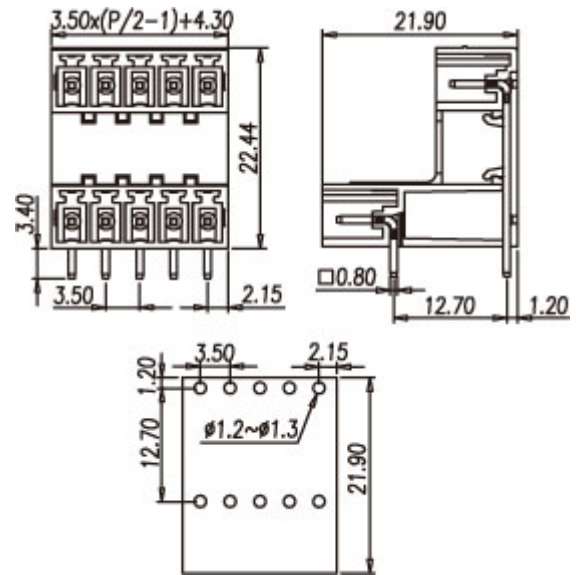


Headers(Sockets) for pluggable terminal blocks / ECH & EHD series



**EECH350R**



**Pitch: 3.50mm**

Approval		
Technical Data	UL	IEC
Rated voltage	300V	320V
Rated current	8A	14A
Conductor cross-section, solid (AWG/ mm <sup>2</sup> )		
Conductor cross-section, flexible (AWG/ mm <sup>2</sup> )		
Rated surge voltage (UL/IEC/Max.)	1.6 / 2.5/ KV	
Torque (N-m)		
Screw		
Wire strip length		
Pole	Cat. No.	
2x2	EECH350R-04P	
:	:	
:	:	
16x2	EECH350R-32P	

**TEL:** +886-2-2908-0614

**FAX:** +886-2-2908-8549

**E-mail:** info@dinkle.com.tw