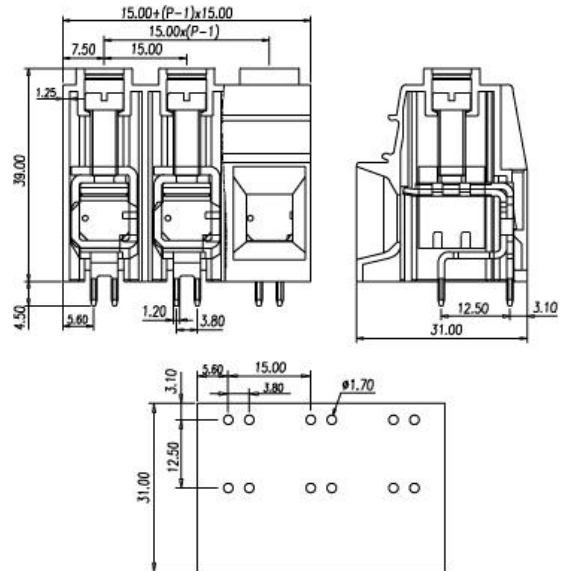


European P.C.B. type terminal blocks / EK series



**ESK150V**



**Pitch: 15.00mm**

Approval		
Technical Data	UL	IEC
Rated voltage	600V	1000V
Rated current	115A	125A
Conductor cross-section, solid (AWG/ mm <sup>2</sup> )	20~2 / 0.5~35	
Conductor cross-section, flexible (AWG/ mm <sup>2</sup> )	20~2 / 0.5~35	
Rated surge voltage (UL/IEC/Max.)	2.2 / / KV	
Torque (N-m)	3.8	
Screw	M5	
Wire strip length	18mm	
Pole	Cat. No.	
02	ESK150V-02P	
:	:	
:	:	
09	ESK150V-09P	

TEL: +886-2-2908-0614

FAX: +886-2-2908-8549

E-mail: info@dinkle.com.tw