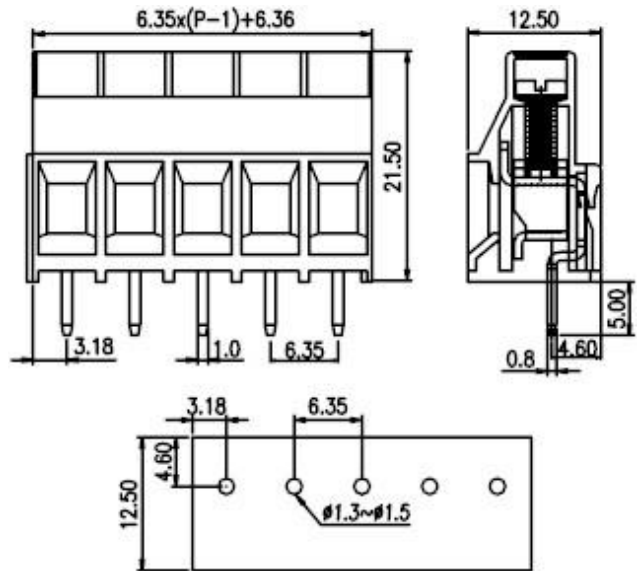




European P.C.B. type terminal blocks / EK series



ESK635V



Pitch: 6.35mm

| | | |
|---|--|------|
| Approval |   | |
| Technical Data | UL | IEC |
| Rated voltage | 300V | 450V |
| Rated current | 30A | 32A |
| Conductor cross-section, solid (AWG/ mm ²) | 26~10 / 0.5~4.0 | |
| Conductor cross-section, flexible (AWG/ mm ²) | 26~10 / 0.5~4.0 | |
| Rated surge voltage (UL/IEC/Max.) | 1.6 / 2.5 / 4 KV | |
| Torque (N-m) | 0.79 | |
| Screw | M3 | |
| Wire strip length | 10~11mm | |
| Pole | Cat. No. | |
| 02 | ESK635V-02P | |
| : | : | |
| : | : | |
| 12 | ESK635V-12P | |

TEL: +886-2-2908-0614

FAX: +886-2-2908-8549

E-mail: info@dinkle.com.tw