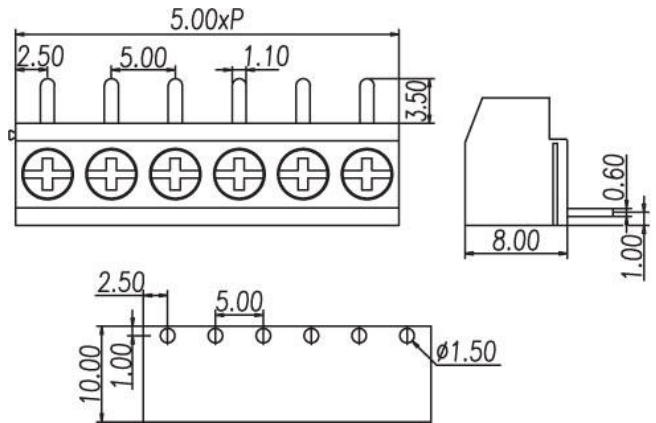


Wire protector type terminal blocks / ED series



DT-126RP



Pitch: 5.00mm

Approval		
Technical Data	UL	IEC
Rated voltage	300V	250V
Rated current	8A	10A
Conductor cross-section, solid (AWG/ mm ²)	26~14 / 0.5~1.5	
Conductor cross-section, flexible (AWG/ mm ²)	26~14 / 0.5~1.5	
Rated surge voltage (UL/IEC/Max.)	1.6 / 2 / 3 KV	
Torque (N-m)	0.50	
Screw	M2.5	
Wire strip length	6~7mm	
Pole	Cat. No.	
02	DT-126RP-02P	
03	DT-126RP-03P	
:	:	
:	:	

TEL: +886-2-2908-0614

FAX: +886-2-2908-8549

E-mail: info@dinkle.com.tw