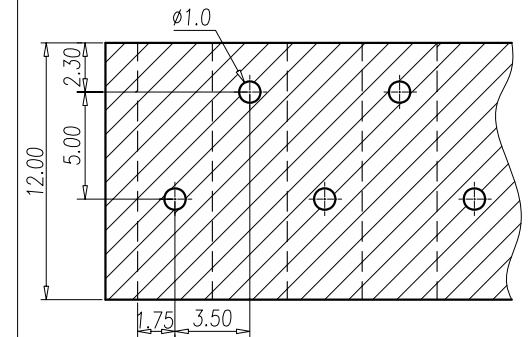
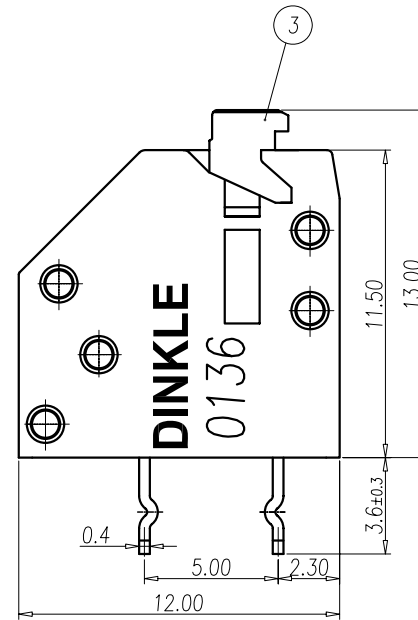


Normal Geometric Tolerancing				
—	//	≡	⊥	
0 to 100	0.2		0 to 10	0.2
over 100 to 150	0.3	0.3	over 10	0.3
over 150	0.5			
Total Pitch Tolerances		Normal dimension Tolerances		
0<U<=30	±0.20	0~30	±0.25	
30<U<=53	±0.25	over 30~53	±0.30	
53<U<=70	±0.30	over 53~70	±0.35	
70<U<=90	±0.35	over 70~90	±0.44	
90<U<=115	±0.44	over 90~115	±0.55	
115<U<=150	±0.55	over 115~150	±0.70	
150<U<=200	±0.70	over 150~200	±0.85	
200<U<=250	±0.85	over 200~250	±1.00	
250<U<=320	±1.00	over 250~320	±1.20	



P.C.B. LAYOUT



NOTES:

1. Rating: 300V 6A (IEC 450V)
PITCH: 3.50mm
2. Insulation Withstands Voltage:
AC 2000V at 1 minute
3. Insulation Resistance:
500MΩ or more at DC500V
4. Using Temperature Range:
-40°C~+105°C
5. Suitable Electric Wire: 16~28 AWG
6. RoHS Compliance

ITEM	NAME OF PART	MATERIAL	NOTES
5	CLAMP	COPPER-ALLOY	Tin Plated
4	COVER	PA66	UL94-V0 GREY
3	LEVER	PA66	UL94-V0 GREY
2	CLAMP	COPPER-ALLOY	Tin Plated
1	HOUSING	PA66	UL94-V0 GREY

DWG.	LJQ	DATE	13.06.09	UNITS	MM	SHEET/OF	1 / 1
CHK.		DATE		SCALE	5:1 (:)		
APP.		DATE		NAME	0136-20XX		
REV.	CONTENT	CHK.	DATE	DINKLE ENTERPRISE CO., LTD	DWG NO.	SP-03-013620XX	

△			
REV.	CONTENT	CHK.	DATE