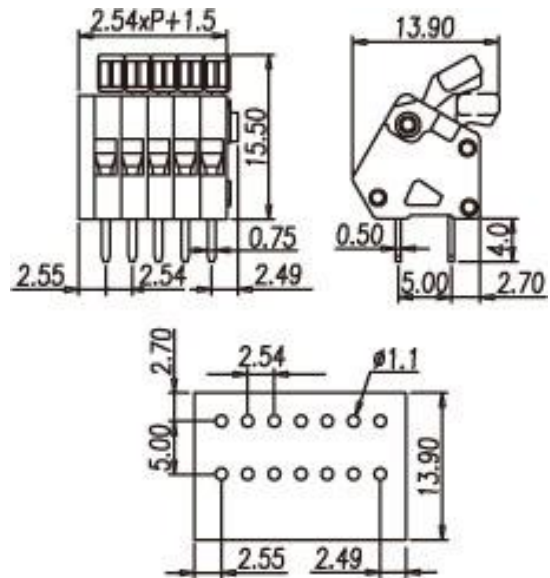




Clamp Spring - Spring type terminal blocks / WK series



WKA254A



Pitch: 2.54mm

Approval	 	
Technical Data	UL	IEC
Rated voltage	300V	130V
Rated current	4A	6A
Conductor cross-section, solid (AWG/ mm ²)	28~20 / 0.5	
Conductor cross-section, flexible (AWG/ mm ²)	0.5	
Rated surge voltage (UL/IEC/Max.)	1.6 / 1.25 / 2 KV	
Wire strip length	5~6mm	
Single Pole	Cat. No.	
	WKA254A-01X	
End Cover	WKA250AC	



Optional color	Cat. No.
●	WKA254A-01X
●	WKA254A-01X-GN
●	WKA254A-01X-RD
●	WKA254A-01X-BL
●	WKA254A-01X-BK
●	WKA254A-01X-OR

Pole	Cat. No.
02	WKA254A-02P
03	WKA254A-03P
04	WKA254A-04P
05	WKA254A-05P
06	WKA254A-06P
07	WKA254A-07P
08	WKA254A-08P
09	WKA254A-09P
10	WKA254A-10P
11	WKA254A-11P
12	WKA254A-12P
:	:
:	:

Optional color	Cat. No.
●	WKA254A-XXP
●	WKA254A-XXP-GN
●	WKA254A-XXP-RD
●	WKA254A-XXP-BL
●	WKA254A-XXP-BK
●	WKA254A-XXP-OR

TEL: +886-2-2908-0614

FAX: +886-2-2908-8549

E-mail: info@dinkle.com.tw