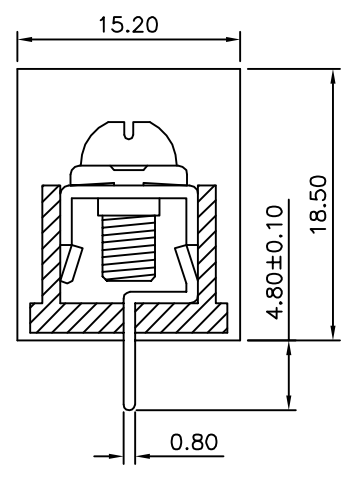
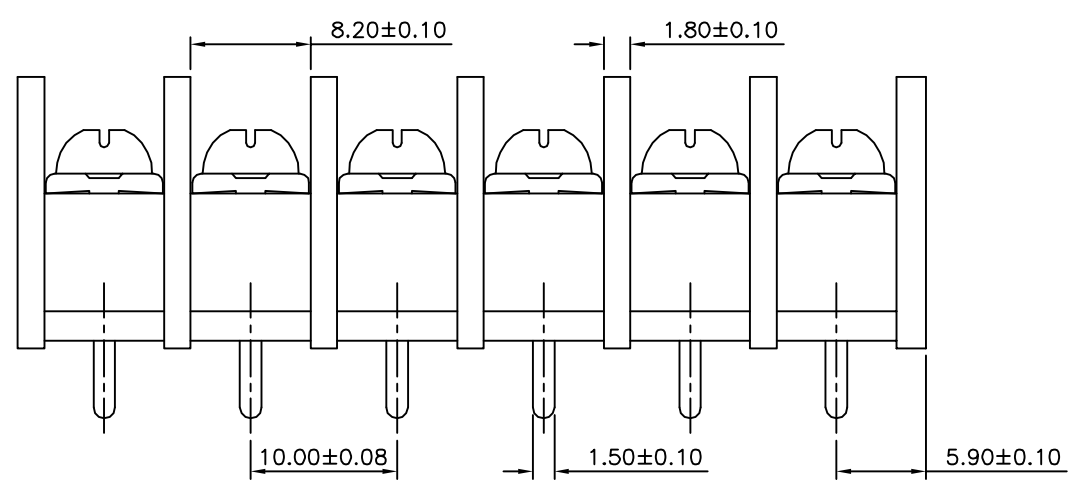
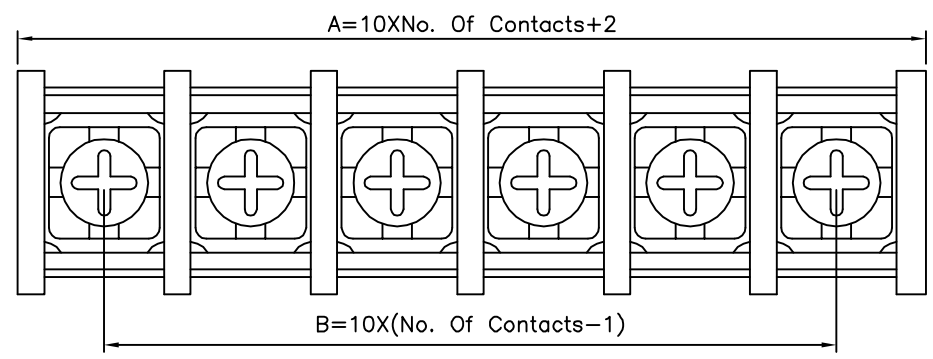


△ Recommended P.C.B. Layout



△ SPECIFICATION

Rating: 15 Amps, 250V AC  
 Insulation Withstanding Voltage: 2000V AC Minute  
 Insulation Resistance: >1000 Megaohms Or More  
 At DC 500V  
 Operation Temperature: -55°C~+95°C  
 Housing: PA66(UL94V-0), Black  
 Terminals: Brass, Tin Plated  
 Screw: M3.5 Steel Nickel Plated  
 Screw Torque: 7 In-Lb  
 Wire Range: 14~18 AWG  
 RoHS Compliant

Pin	A	B	Pin	A	B
2	22	10	18	182	170
3	32	20	19	192	180
4	42	30	20	202	190
5	52	40	21	212	200
6	62	50	22	222	210
7	72	60	23	232	220
8	82	70	24	242	230
9	92	80	25	252	240
10	102	90	26	262	250
11	112	100	27	272	260
12	122	110	28	282	270
13	132	120	29	292	280
14	142	130	30	302	290
15	152	140	31	312	300
16	162	150	32	322	310
17	172	160			

**AUK** A MEMBER OF AUK GROUP  
**太聯事業股份有限公司**  
**AUK CONTRACTORS CO., LTD.**

CATEGORY		APPROVED BY		UNLESS OTHERWISE SPECIFIED TOLERANCES ARE △ X. ±0.50 .X ±0.50 .XX ±0.50
PART No. TBB100AXXD-H		EMILY		
DRAWING No. TBB100AXXD-H		CHECKED BY HZF		
SCALE NONE		DRAWING BY SONG		
REV.	A1	UNIT	mm	

NO.	REV.	REVISIONS	CHK	DATE
△ A1		Modify Data	HZF	09/16/2011
△ A0		NEW RELEASE	BECKY	01/11/2005