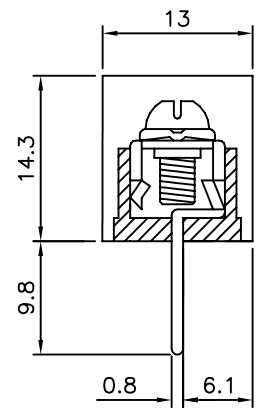
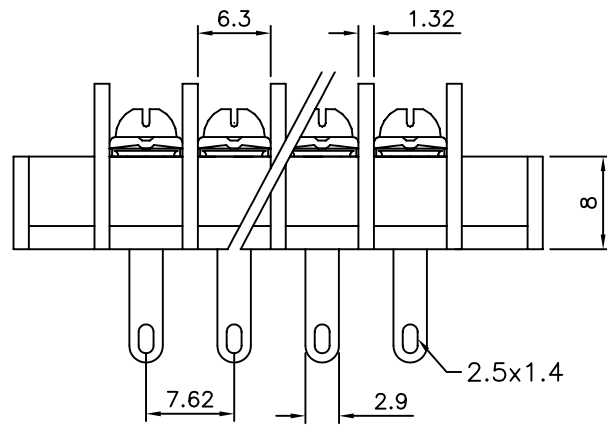
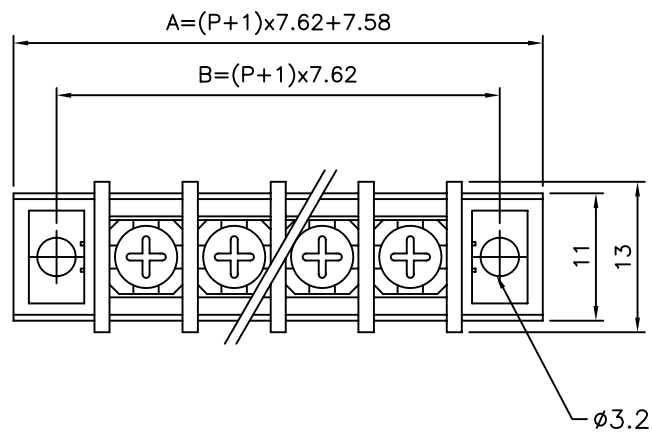


**SPECIFICATIONS**  
 Current Rating:10 Amp  
 Voltage Rating:250V AC  
 Insulation Withstands Voltage:AC 2000V  
 Insulation Resistance:500 Megohms Min. At DC 500V  
 Barrier:Thermoplastic,UL 94V-0,Black  
 Terminal:Brass,Tin Plated  
 Screw:Steel,Nickel Plated  
 Wire Range:AWG16-22 STR



Pole	A	B	Pole	A	B
02	30.44	22.86	17	144.74	137.16
03	38.06	30.48	18	152.36	144.78
04	45.68	38.1	19	159.98	152.4
05	53.3	45.72	20	167.6	160.02
06	60.92	53.34	21	175.22	167.64
07	68.54	60.96	22	182.84	175.26
08	76.16	68.58	23	190.46	182.88
09	83.78	76.2	24	198.08	190.5
10	91.4	83.82	25	205.7	198.12
11	99.02	91.44	26	213.32	205.74
12	106.64	99.06	27	220.94	213.36
13	114.26	106.68	28	228.56	220.98
14	121.88	114.3	29	236.18	228.6
15	129.5	121.92	30	243.8	236.22
16	137.12	129.54			

**AUK** A MEMBER OF AUK GROUP  
**太聯事業股份有限公司**  
**AUK CONTRACTORS CO., LTD.**

CATEGORY		APPROVED BY MEI		UNLESS OTHERWISE SPECIFIED TOLERANCES ARE .X ±0.5 .XX ANG.
PART No. TBB076AXXSE		CHECKED BY BECKY		
DRAWING No. TBB076AXXSE		DRAWING BY HZF		
SCALE	NONE	REV.	A0	
		UNIT mm		

NO.	REV.	REVISIONS	CHK	DATE
△ A0		NEW RELEASE	BECKY	04/12/2005