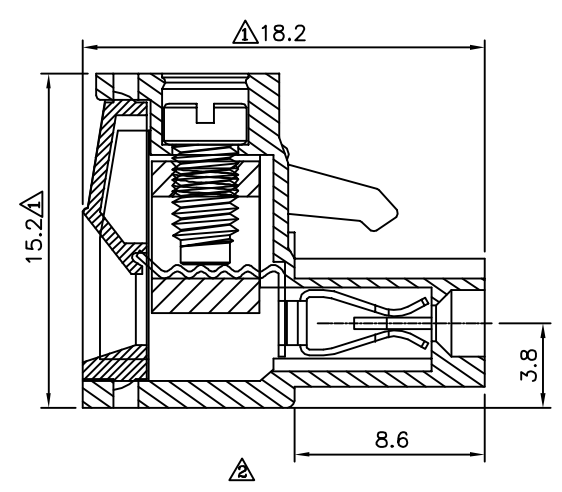
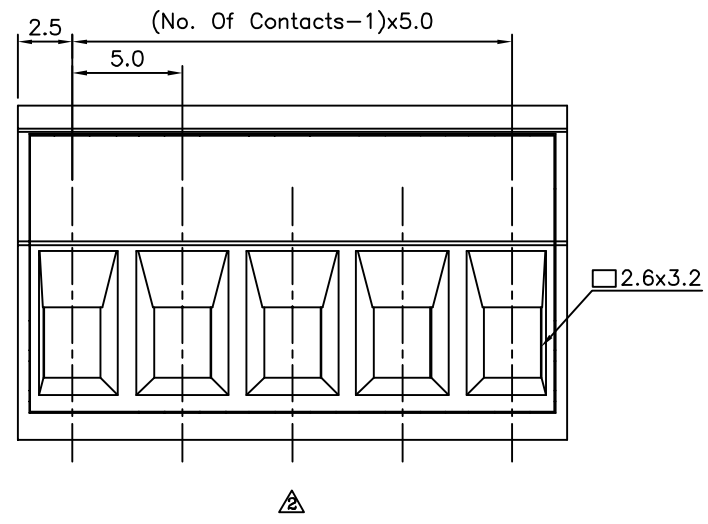
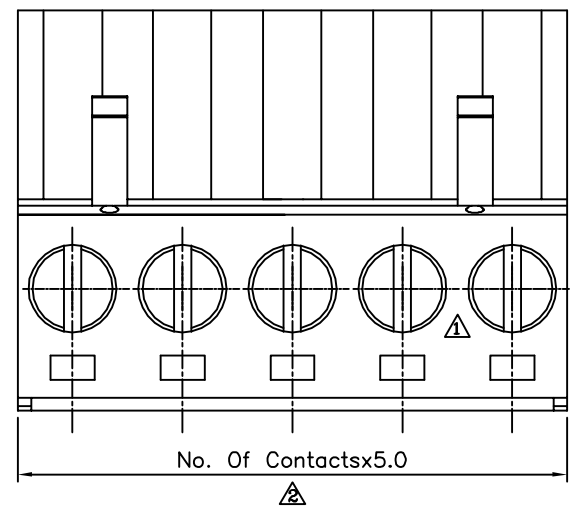


**△△ SPECIFICATION**  
 Voltage Rating:300V AC  
 Current Rating:16 Amps/Way Max.  
 Contact Resistance:20 Milliohms Max.  
 Withstanding Voltage:2500V AC(1 Minute)  
 Test Time=60s/1 PCS  
 Operation Temperature:-40°C~+105°C  
 Soldering Reliability:  
 Test Temperature:250°C±10°C,5s Max.  
 Torque:5.0 Kgf.cm/M3  
 Wire Range:12~26 AWG  
 Contacts(Metal Housing):Copper Alloy,Nickel Plated  
 Terminal Screw:Steel,Galvanized With Cr3+ Plated  
 Wire Guard:Copper Alloy,Tin Plated  
 Insulator Body(Housing):Polyamide(UL94V-0)  
 RoHS Compliant



- △△ TBH XX S - XX -H**  
 (1) (2) (3) (4) (5)
- (1) TBH:5.0mm Terminal Block  
Pluggable Rising Clamp Type
  - (2) XX:No. Of Position
  - (3) S:Female Screw-On Type
  - (4) XX:Insulator Color  
Blank:Green  
BK:Black  
GE:Gray  
WH:White
  - (5) H:RoHS Compliant

**AUK** A MEMBER OF AUK GROUP  
**太聯事業股份有限公司**  
**AUK CONTRACTORS CO., LTD.**

CATEGORY		APPROVED BY EMILY		UNLESS OTHERWISE SPECIFIED TOLERANCES ARE X. ±0.50 .X ±0.30 .XX ±0.20 ANG. ±1°
PART No. △ TBHXXS-XX-H		CHECKED BY HZF		
DRAWING No. TBHXXS-XX-H		DRAWING BY HAO		
SCALE	NONE	REV.	A2	
		UNIT mm		

NO.	REV.	REVISIONS	CHK	DATE
△A2		Modify Data	HZF	03/05/2015
△A1		Modify P/N:TBHXXS-H -->TBHXXS-XX-H	HZF	07/13/2010
△A0		NEW RELEASE	HZF	05/13/2009