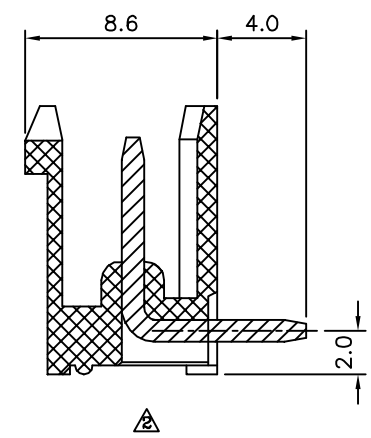
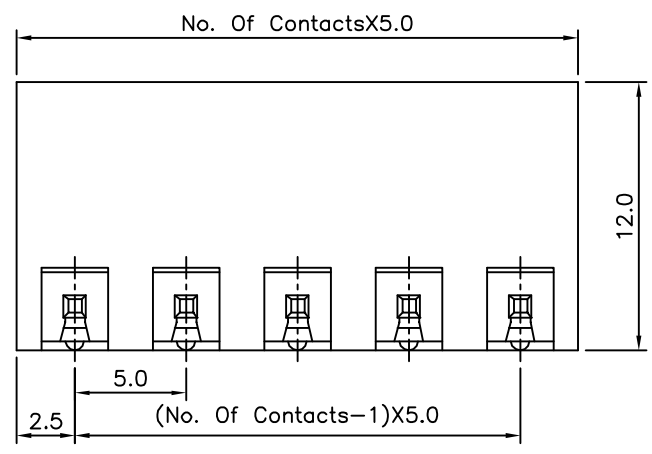
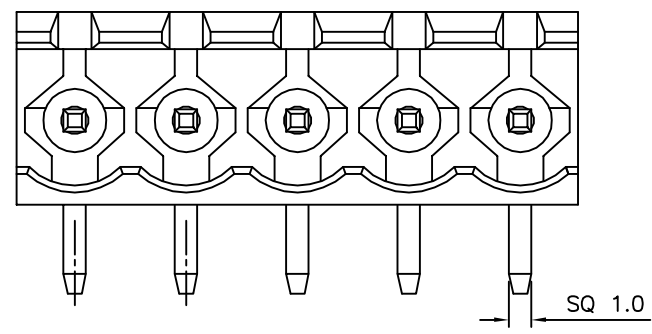


Recommended P.C.B. Layout



△△ SPECIFICATION
 Current Rating:16A
 Voltage Rating:300V AC
 Withstand Voltage:2500V AC(1 Minute)
 Using Temperature Range:-40°C~+105°C
 Soldering Temperature:+250°C,5 Seconds Max.
 Insulator Body(Housing):Polyamide+G.F.(UL94V-0)
 Solder Pin:Copper Alloy,Tin Plated
 RoHS Compliant

△△ TBH XX R - XX - H
 (1) (2) (3) (4) (5)
 (1) TBH:5.0mm Terminal Block
 Pluggable Rising Clamp Type
 (2) XX:No. Of Position
 (3) R:DIP Right Angle
 (4) XX:Insulator Color
 Blank:Green
 WH:White
 BL:Blue
 BK:Black
 (5) H:RoHS Compliant

CATEGORY		APPROVED BY		UNLESS OTHERWISE SPECIFIED TOLERANCES ARE X. ±0.50 .X ±0.30 .XX ±0.20 X*. ±1°
PART No. △ TBHXXR-XX-H		EMILY		
DRAWING No. TBHXXR-XX-H		CHECKED BY HZF		
SCALE NONE		DRAWING BY HAO		
REV.	A2	UNIT	mm	

NO.	REV.	REVISIONS	CHK	DATE
△ A2		Modify Data	HZF	03/07/2015
△ A1		Modify P/N:TBHXXR-H --> TBHXXR-XX-H	HZF	04/20/2011
△ A0		NEW RELEASE	HZF	05/13/2009