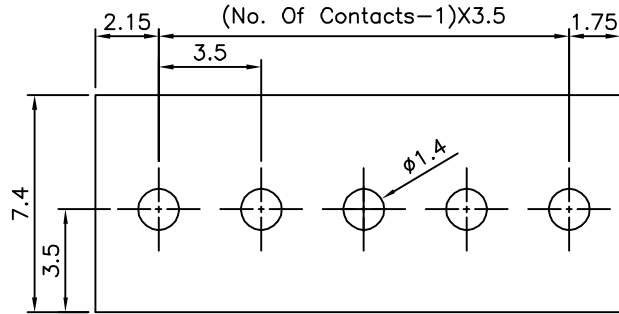
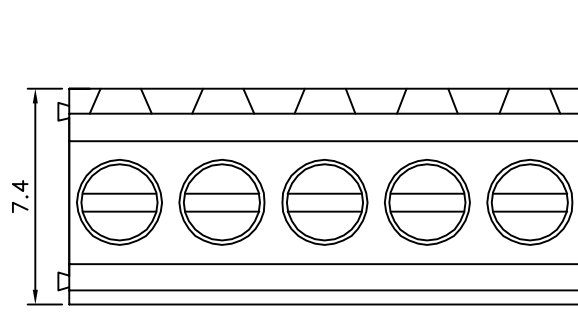
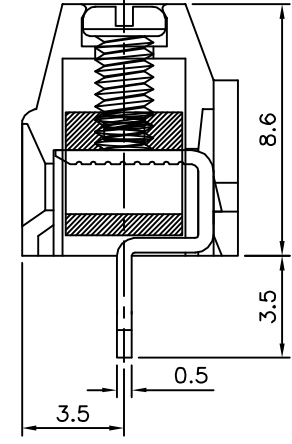
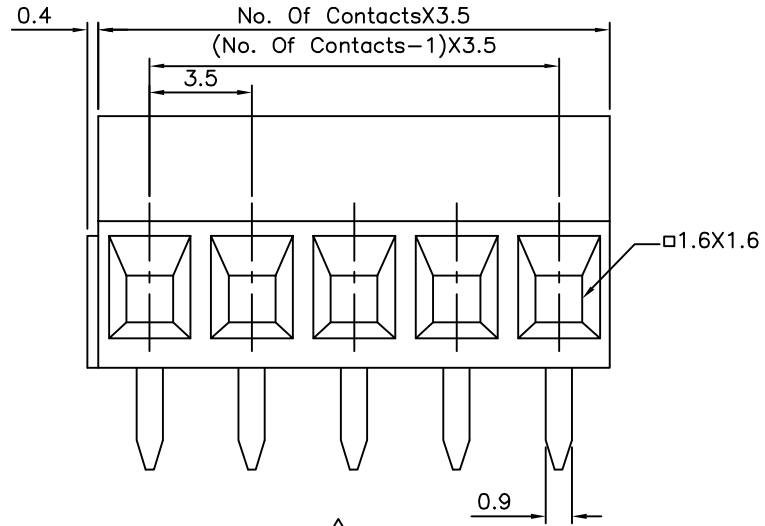


**△△ SPECIFICATION**

Voltage Rating:300V AC  
 Current Rating:10 Amp/Way Max.  
 Contact Resistance:20 Milliohms Max.  
 Withstanding Voltage:2500V AC For 1 Minute  
 Test Time=60 Sec./1 PCS  
 Wire Range:16~30AWG  
 Torque:2 Kgf.cm/M2  
 Operation Temperature:-40°C~+105°C  
 Soldering Reliability:Test Temperature=250°C±10°C  
 5 Seconds Max.  
 Contact(Metal Housing):Copper Alloy,Nickel Plated  
 Solder Pin:Copper Alloy,Tin Plated  
 Terminal Screw:Steel,Galvanized With Cr3+ Plated  
 Insulator Body(Housing):Polyamide(UL94V-0),Green  
 RoHS Compliant



△ Recommended P.C.B. Layout



△

△ TB35 XX A - H  
 (1) (2) (3) (4)

- (1) TB35:3.5mm Terminal Block Rising Clamp Type
- (2) XX:No. Of Position
- (3) A:Height=8.6mm
- (4) H:RoHS Compliant

**AUK** A MEMBER OF AUK GROUP  
**太聯事業股份有限公司**  
**AUK CONTRACTORS CO., LTD.**

CATEGORY		APPROVED BY		UNLESS OTHERWISE SPECIFIED					
PART No. TB35XXA-H		EMILY		TOLERANCES ARE					
DRAWING No. TB35XXA-H		CHECKED BY HZF		X. ±0.50		△ A2	Modify Data	HZF	02/14/2014
SCALE NONE		DRAWING BY YBL		.X ±0.30		△ A1	Modify Data	HZF	05/13/2010
REV. A2		UNIT mm		.XX ±0.20		△ A0	NEW RELEASE	HZF	04/07/2009
				X° ±1°		NO.REV.	REVISIONS	CHK	DATE