

REV.	DESCRIPTION	DRAWN	CHECKED	APPROVED
A	NEW RELEASE	HP 07/12/05		

TECHNICAL DATA

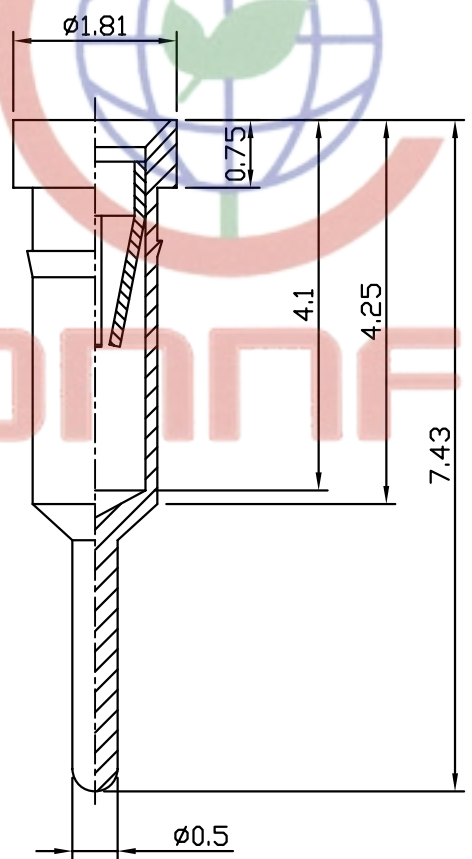
- MATERIAL
 - Pin(Outer Sleeve): Brass,Machined,CuZn38Pb2
 - Clip(Contact 4/6 Finger): Copper alloy,Heat Treated
- ELECTRICAL
 - Current Rating: 3A Per Pin max.
 - Contact Resistance: $\leq 20m\Omega$ /Contact.

- MECHANICAL
 - *Average Insertion Force With Steel Pin of $\phi 0.43mm/0.017"$:
4-Finger $\leq 270g$,6-Finger $\leq 120g$
 - *Average Withdrawal Force With Steel Pin of $\phi 0.50mm/0.020"$:
4-Finger $\geq 25g$,6-Finger $\geq 15g$
 - *Mechanical Life: min 200 Cycles

4. PRODUCT NUMBER CODE:

DS1005-09 - X X X

- CLIP PLATED
 - 6: Full Tin
 - 8: Full Gold flash
 - C: Full Gold 3u"
 - A: Full Gold 10u"
 - B: Full Gold 15u"
- PIN PLATED
 - 6: Full Tin
 - 8: Full Gold flash
 - C: Full Gold 3u"
 - A: Full Gold 10u"
 - B: Full Gold 15u"



Tel:86-574-63508787
 Fax:86-574-63510317
 E-mail:sale@zhennan.com.cn
 Http://www.connfly.com

GENERAL TOLERANCE	ANGLE TOLERANCE	PROJECTION		TITLE	SOCKET TERMINALS 7.43mm	
X. ± 0.20	X. $\pm 2^\circ$	UNITS	mm	SHEET	DS1005-09	
.X ± 0.10	.X $\pm 1^\circ$	SHEET SIZE	A4	SERIES		
.XX ± 0.05	.XX $\pm 0.5^\circ$	晨翔电子有限公司 CONNFLY CONNFLY ELECTRONIC CO. LTD				
DRAWING TYPE	CUSTOMER					
SCALE	1:1					SHEET 1 OF 1
DRAWING NO.	C-DS1005-09-XXX					