

REV.	DESCRIPTION	DRAWN	CHECKED	APPROVED
A	NEW RELEASE	HP 07/09/05		

TECHNICAL DATA

1. MATERIAL

- . Pin(Outer Sleeve): Brass,Machined,CuZn38Pb2
- . Clip(Contact 4/6 Finger): Copper alloy,Heat Treated

2. ELECTRICAL

- . Current Rating: 3A Per Pin max.
- . Contact Resistance: $\leq 20m\Omega$ /contact.

3. MECHANICAL

- . *Average Insertion Force With Steel Pin of $\phi 0.43mm/0.017''$:
4-Finger $\leq 270g$,6-Finger $\leq 120g$
- . *Average Withdrawal Force With Steel Pin of $\phi 0.50mm/0.020''$:
4-Finger $\geq 25g$,6-Finger $\geq 15g$.
- . *Mechanical Life: min 200 Cycles

4. PRODUCT NUMBER CODE:

DS1005-01 - X X X

CLIP PLATED

- 6: Full Tin
- 8: Full Gold flash
- C: Full Gold 3u"
- A: Full Gold 10u"
- B: Full Gold 15u"

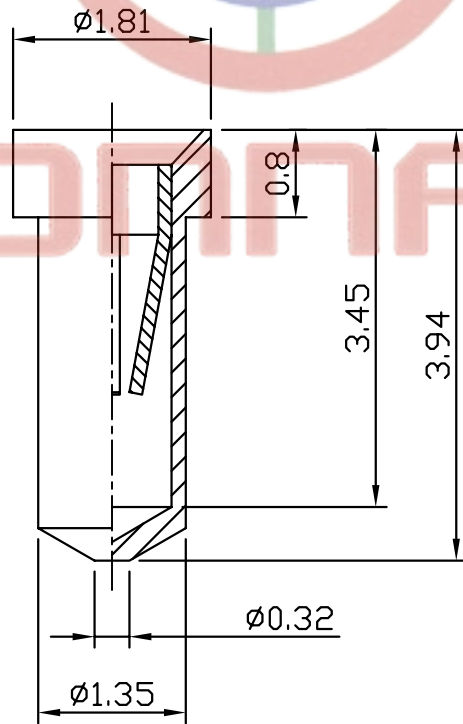
PIN PLATED

- 6: Full Tin
- 8: Full Gold flash
- C: Full Gold 3u"
- A: Full Gold 10u"
- B: Full Gold 15u"

CLIPS

- 3: 3Finger
- 4: 4Finger
- 6: 6Finger

SERIES NO
DS1005-01



Tel:86-574-6350817
 Fax:86-574-63510817
 E-mail:sale@zhenqin.com.cn
 Http://www.connfly.com

GENERAL TOLERANCE	ANGLE TOLERANCE	PROJECTION		TITLE	SOCKET TERMINALS 3.94mm
X. ± 0.20	X. $\pm 2^\circ$	UNITS	mm	SHEET SIZE	A4
.X ± 0.15	.X $\pm 1^\circ$	SHEET SIZE	A4	SERIES	DS1005-01
.XX ± 0.10	.XX $\pm 0.5^\circ$	晨翔电子有限公司 CONNFLY CONNFLY ELECTRONIC CO. LTD			
DRAWING TYPE	CUSTOMER				
SCALE	1:1 SHEET 1 OF 1				
DRAWING NO.	C-DS1005-01-XXX				