

REV.	DESCRIPTION	DRAWN	CHECKED	APPROVED
A	NEW RELEASE	LJC 04/07/09'		

NOTES:

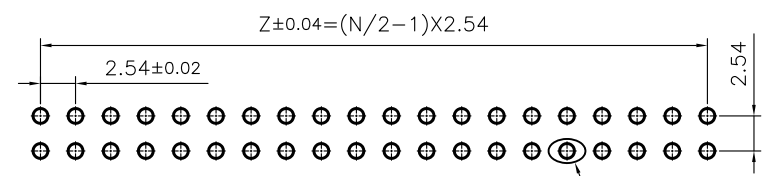
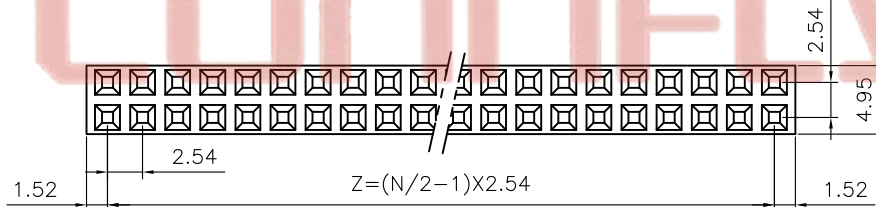
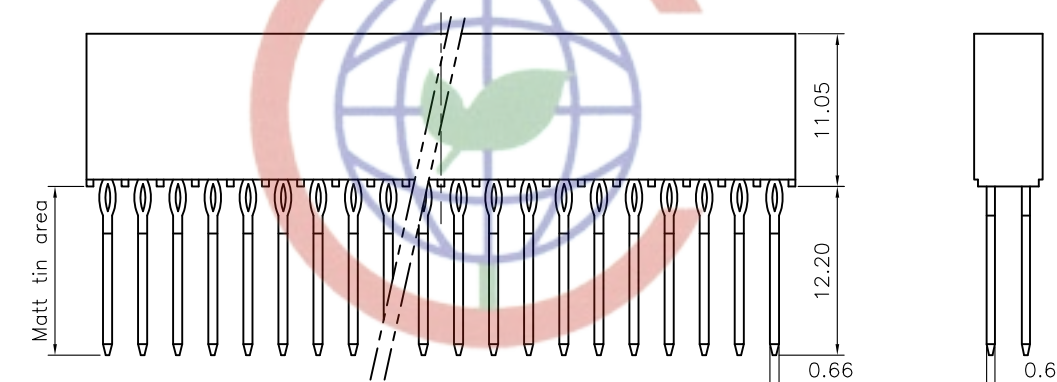
- Material:  
Insulator: PBT With glass fiber. UL94 V-0.  
Contact: Copper alloy.
- Electrical performance  
Current rating: 1.9A.  
Contact resistance: 20mΩ maximum.  
Insulation resistance: 1000MΩ minimum.  
Dielectric withstanding voltage: 500V AC(r.m.s) per 60s.
- Environment performance:  
Temperature range: -55°C~+125°C.
- Mechanical performance:  
Mating force: 150g per pin maximum.  
Withdrawal force: 30g per pin minimum.  
Press-In force: 8Kgf per maximum.
- Recommend PCB thickness: 1.6mm
- Product number code:

PC104-003 - XX X X

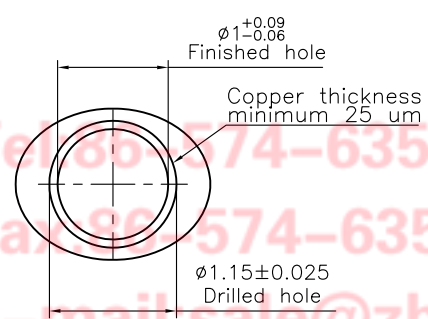
Contact plating:  
1: Selective 10u" gold(contact area)  
3: Selective 30u" gold(contact area)  
6: Full Matt Tin(General Mode)

Color:  
B: Black  
A: Gray

No. of positions:  
2\*2 ~ 2\*50



Recommend PCB layout  
suggested hole size see detail A



GENERAL TOLERANCE		ANGLE TOLERANCE		PROJECTION	TITLE	PC/104 Stack	
X.	±0.60	X.	±5°	mm		V/T Type	
.X	±0.38	.X	±3°	A4	SERIES	PC104-003 SERIES	
.XX	±0.25	.XX	±2°	<b>晨翔电子有限公司</b> <b>CONNFLY CONNFLY ELECTRONIC CO. LTD</b>			
DRAWING TYPE		CUSTOMER					
SCALE	1:1	SHEET	1 OF 1				
DRAWING NO.		C-PC104-003-XXXX					

Tel: 86-574-63508787  
 Fax: 86-574-63510817  
 E-mail: sale@zhenqin.com.cn  
 Http://www.connfly.com  
 Add: East Industry Zone, Ningbo City, Zhejiang Province, China