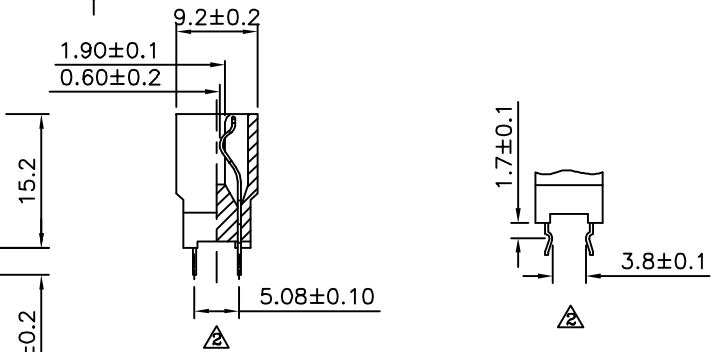
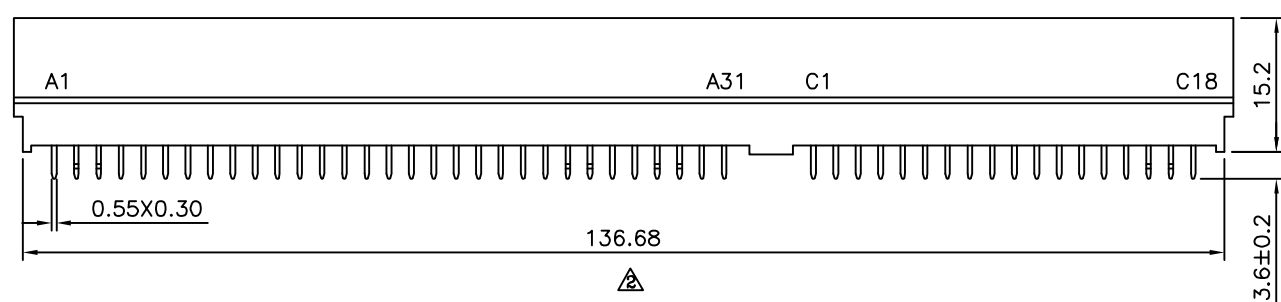
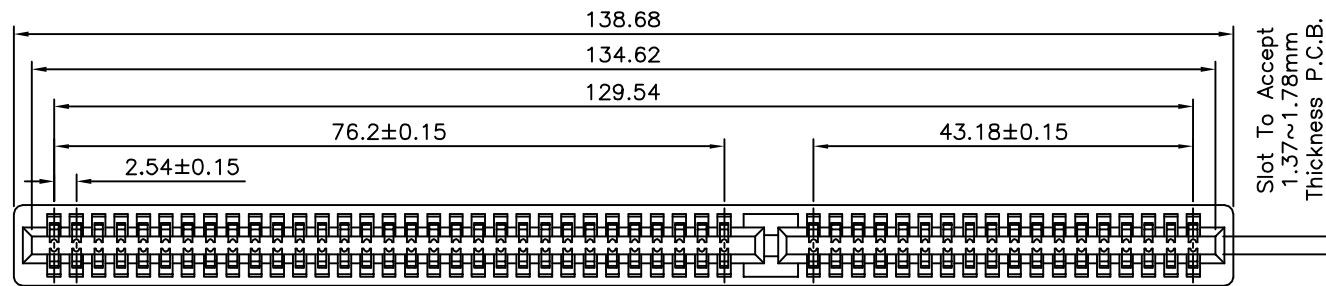
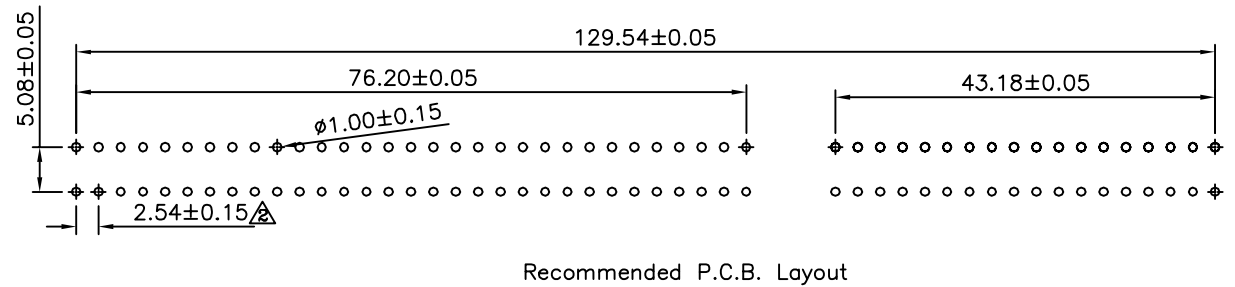


△ SPECIFICATION

Current Rating: 3 Amp
 Dielectric Withstanding Voltage: 1000V AC RMS
 Contact Resistance: 20 Milliohms Max.
 Insulation Resistance:
 500 Megaohms Min. At 500V DC
 Operation Temperature: -55°C ~ +85°C
 Insertion Force: 340 Grams Max. Per Contact Pair
 Withdrawal Force: 28 Grams Min. Per Contact Pair
 △ Contact: Brass, Gold Plated On Contact Area,
 Tin Plated On Solder Tails, Over Nickel
 Insulator: PBT+G.F. (UL94V-0)
 RoHS Compliant



- △ E D 098 K - H
 (1) (2) (3) (4) (5)
- (1) E: 2.54 Card Edge
 - (2) D: DIP Straight
 - (3) 098: No. Of Position
 - (4) K: With Kink
 - (5) H: RoHS Compliant

△ Kinked Position Are #A2, #A3, #A24, #A25, #A28, #A29, #C16 & #C17
 And #B2, #B3, #B24, #B25, #B28, #B29, #D16 & #D17

AUK A MEMBER OF AUK GROUP
太聯事業股份有限公司
AUK CONTRACTORS CO., LTD.

CATEGORY		APPROVED BY		UNLESS OTHERWISE SPECIFIED TOLERANCES ARE 0~10 ±0.2 10~30 ±0.3 30~100 ±0.4 100~300 ±0.5 300~ ±0.5 ANG. ±0.5
PART No. ED098K-H		MEI		
DRAWING No. ED098K-H		HZF		
SCALE NONE		REV. A2		
GEO. SYMBOL		UNIT mm		

NO.	REV.	REVISIONS	CHK	DATE
△ A2		Modify Data	HZF	12/06/2012
△ A1		Modify Spec.	HZF	01/18/2011
△ A0		NEW RELEASE		