

REV.	DESCRIPTION	DRAWN	CHECKED	APPROVED
A	NEW RELEASE	LJC 11/18/11'		

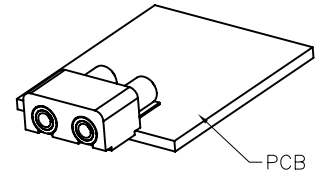
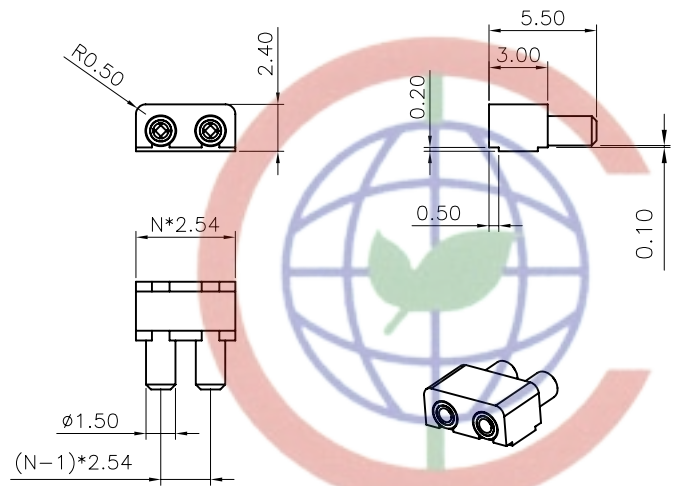


Figure of PCB Mounting

NOTES:

- 1.Materials:**
 1.1. Insulator: High Temperature 260°C,UL94-V0 (For White Only UL94-HB Rated),RoHS,REACH compliance.
 1.2. Pin: Copper Alloy, Plating Tin or Gold.
 1.3. Clip: Beryllium Copper, C17200,Full Gold plating.
- 2.Specifications:**
 2.1. Temperature Range: -55~+125°C.
 2.2. Contact Resistance: 10mΩ maximum.
 2.3. Insulation Resistance: 1000MΩ minimum.
 2.4. Dielectric Withstanding Voltage: 500V AC 1 minute.
 2.5. Voltage Rating: 100V AC/DC.
 2.6. Current Rating: 3A max per pin.
 2.7. Application insert pin: Ø0.381~Ø0.635mm.
 2.8. Resistance to soldering heat: 260°C,3-5seconds.
 2.9. Durability: 1000 cycles min.

Female

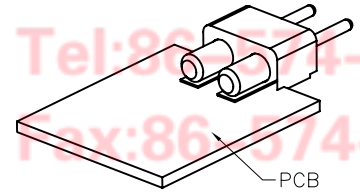
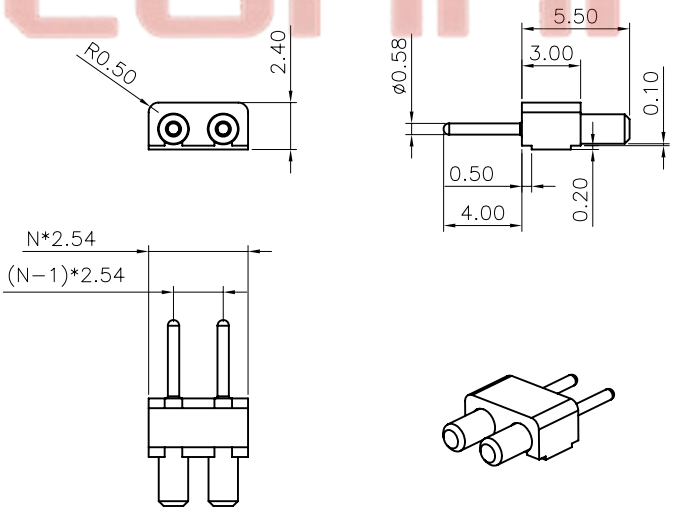
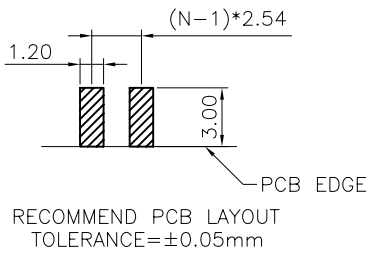


Figure of PCB Mounting

3. Product Number Code:

- DS1137 - X X X X X X
- X: Packing Type
R: Tape On Reel.
 - X: Clip plating(Female Only)
8: Full gold flash.
C: Full 3u" gold.
 - X: Pin plating
6: Full tin.
8: Full gold flash.
 - X: Housing Color
W: White
B: Black
V: Ivory
 - X: Connector Type
F: Female
M: Male
 - X: No. of positions
2: 2p ~ 10: 10p

Male



GENERAL TOLERANCE		ANGLE TOLERANCE		PROJECTION		TITLE	2.54mm LED Series Plug & Socket SMT Type Connector
X	±0.60	X	±5°	UNITS	mm	SHEET	1 OF 1
.X	±0.38	.X	±3°	SHEET SIZE	A4	SERIES	DS1137 SERIES
.XX	±0.25	.XX	±2°	晨翔电子有限公司 CONNFLY CONNFLY ELECTRONIC CO. LTD			
DRAWING TYPE		CUSTOMER					
SCALE		1:1					
DRAWING NO.		C-DS1137-XXXXXX					