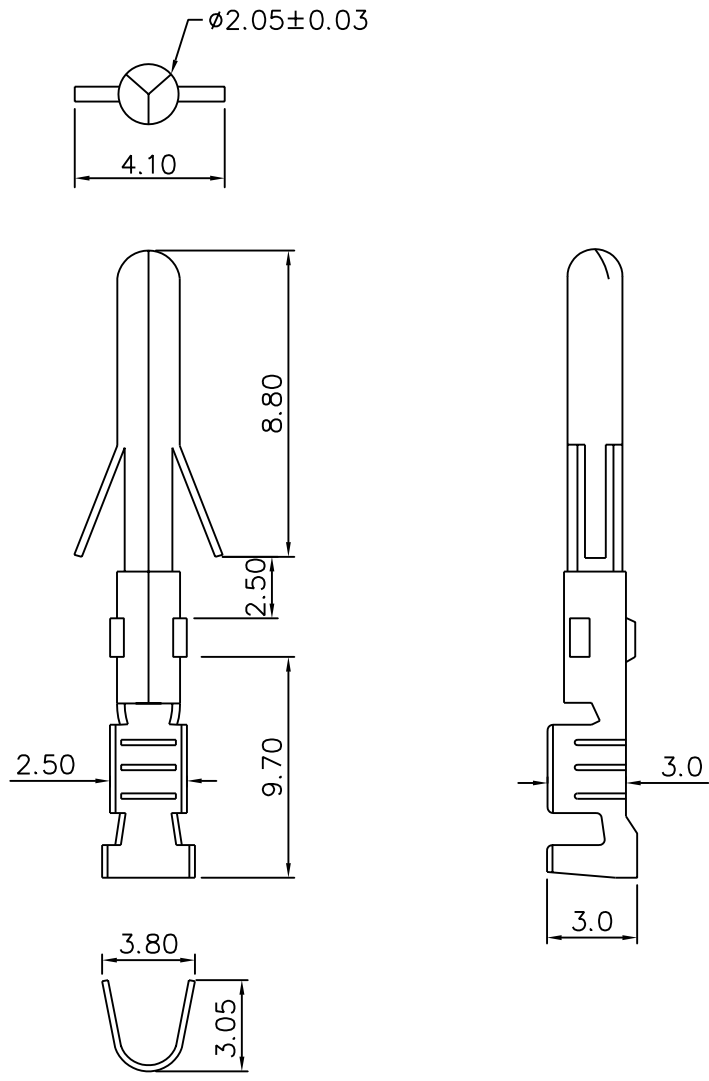


SPECIFICATIONS :
 Applicable Wire : AWG #16-20
 Material : Brass
 Finish: Tin Plated 4u"
 Hardness : SH
 Thickness : 0.25mm
 Q'ty : 7000 Pcs/Roll



AUK A MEMBER OF AUK GROUP
太聯事業股份有限公司
AUK CONTRACTORS CO., LTD.

CATEGORY		APPROVED BY		UNLESS OTHERWISE SPECIFIED TOLERANCES ARE .X .XX AWG.
Terminal		MEI		
PART No. DPM		CHECKED BY RAN		
DRAWING No. DPM		DRAWING BY LXH		
SCALE	NONE	REV.	A	UNIT mm

AREA	REVISIONS	CHK	DATE
------	-----------	-----	------