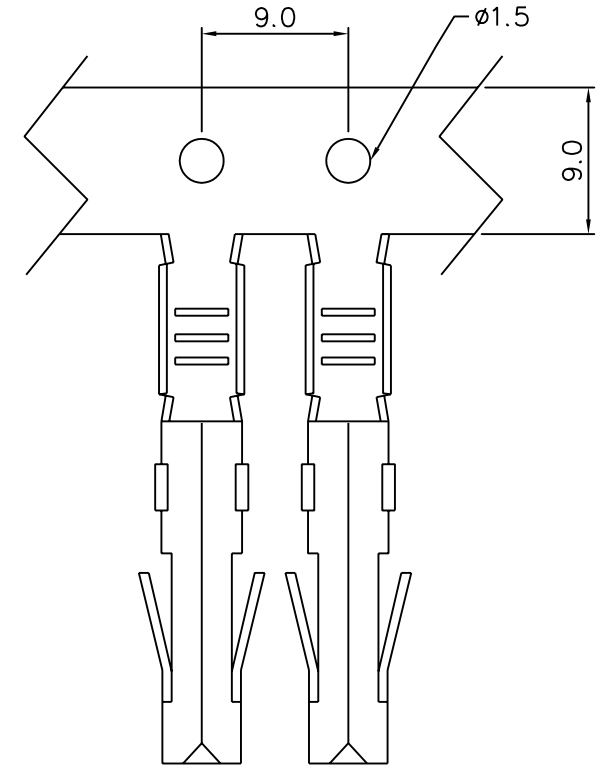
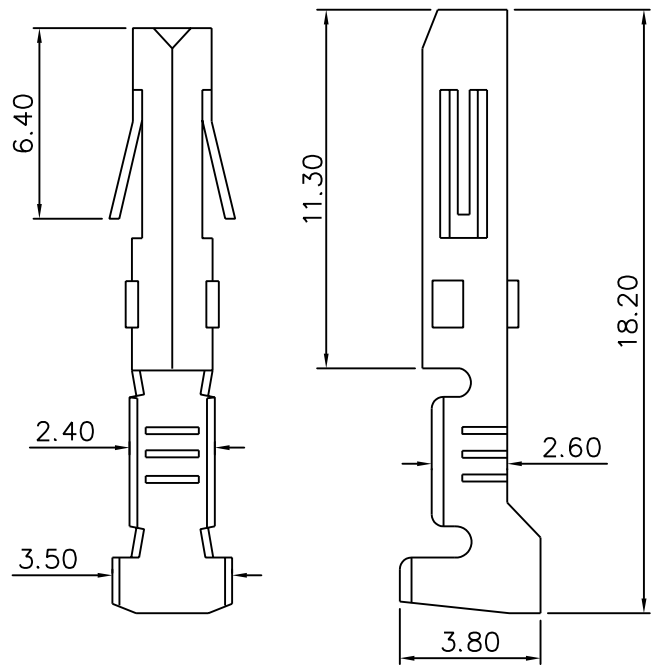


SPECIFICATIONS :

Applicable Wire : AWG #16-20
 Material : Brass
 Finish: Tin Plated
 Hardness : SH
 Thickness : 0.3mm
 Q'ty : 7000 Pcs/Roll



AUK A MEMBER OF AUK GROUP
太聯事業股份有限公司
AUK CONTRACTORS CO., LTD.

CATEGORY		APPROVED BY		UNLESS OTHERWISE SPECIFIED TOLERANCES ARE .X .XX AWG.
Terminal		MEI		
PART No. DPF		CHECKED BY RAN		
DRAWING No. DPF		DRAWING BY LXH		
SCALE	NONE	REV.	A	UNIT mm

AREA	REVISIONS	CHK	DATE