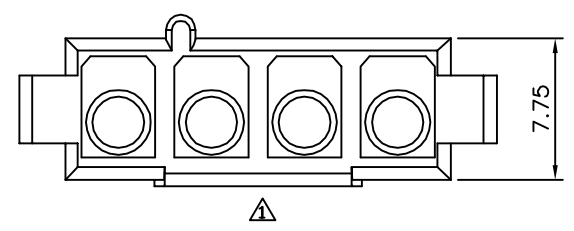
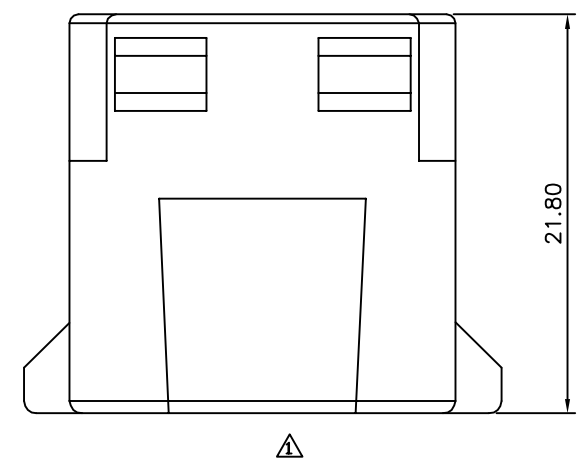
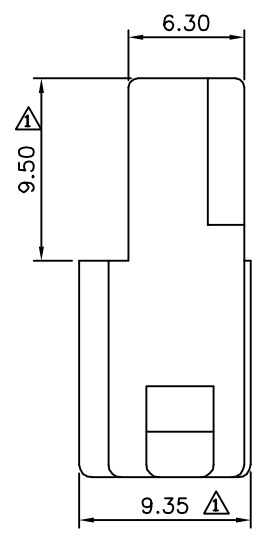
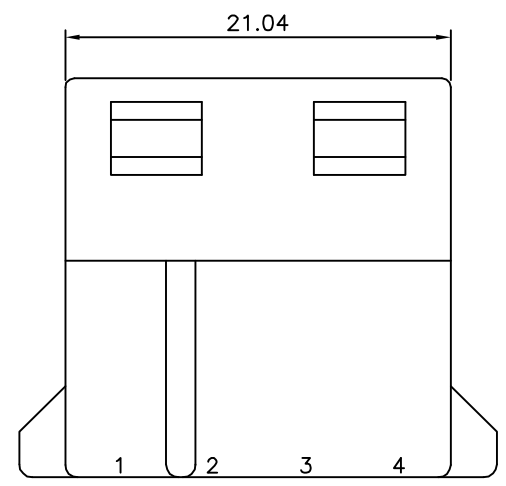
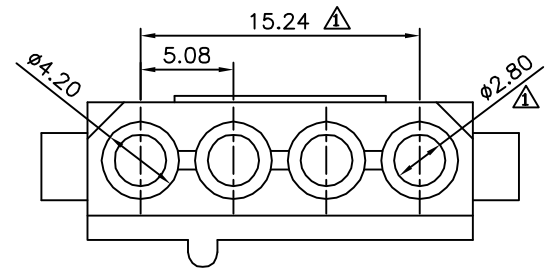


△ SPECIFICATION

Electrical Rating:UL 250V 3A,AC/DC
 CSA 250V 5A,AC/DC
 TUV 250V 7A,AC/DC
 Insulator:PA66(UL94V-2),Nature
 RoHS Compliant



AUK A MEMBER OF AUK GROUP
太聯事業股份有限公司
AUK CONTRACTORS CO., LTD.

CATEGORY		APPROVED BY	
PART No. DP04S-H		EMILY	
DRAWING No. DP04S-H		CHECKED BY HZF	
SCALE NONE		DRAWING BY WSS	
REV.	A1	UNIT mm	

UNLESS OTHERWISE SPECIFIED TOLERANCES ARE
 .X ±0.30
 .XX ±0.20
 .XXX ±0.10
 ANG. ±2°

NO.	REV.	REVISIONS	CHK	DATE
△ A1		Modify Data	HZF	09/09/2011
△ A0		NEW RELEASE	BECKY	08/24/2004