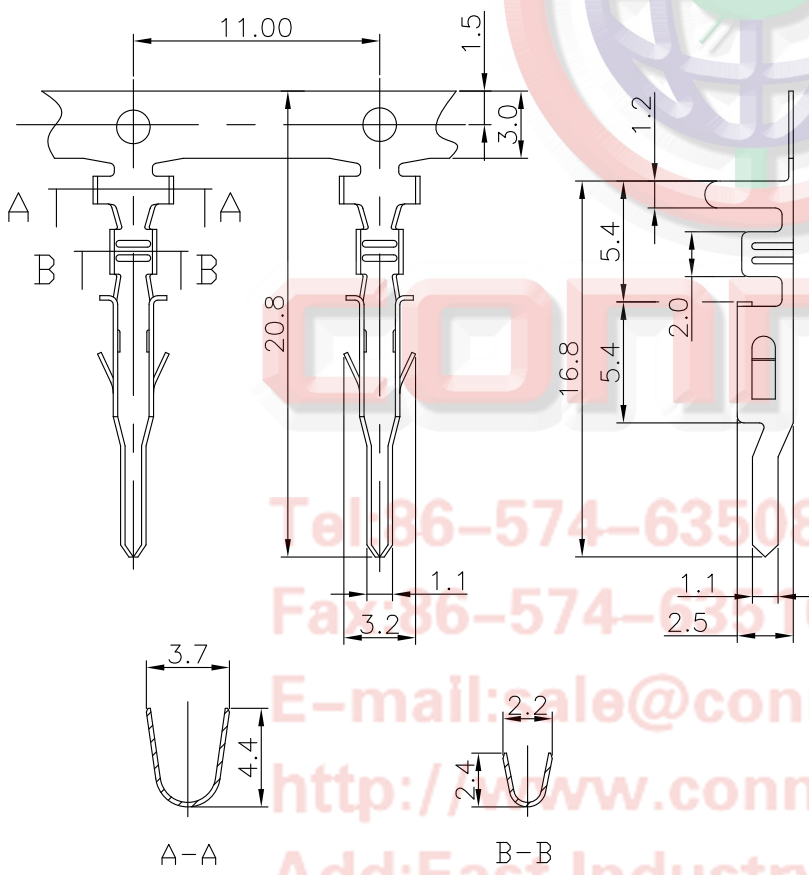


REV.	DESCRIPTION	DRAWN	CHECKED	APPROVED
A	NEW RELEASE	JLZ 02/04/15'		

Notes:
 1.Materials: Copper Alloy.
 2.Packing Type: Reel Paper,4.5K/Reel
 3.Part Number Code:
 T - DS1073-02 - P C X 0 0
 Plating
 6: Full Tin



Tel:86-574-63508787
 Fax:86-574-63510817
 E-mail:sale@connfly.com
 http://www.connfly.com
 Add:East Industry Zone KuangYan
 Town Cixi Ningbo China
 P.C:315333

GENERAL TOLERANCE		ANGLE TOLERANCE		PROJECTION		TITLE	
X.	±0.50	X.	±5°	UNITS	mm	DS1073-02 Male Terminal	
.X	±0.35	.X	±3°	SHEET SIZE	A4	SERIES	DS1073-02 SERIES
.XX	±0.20	.XX	±2°	晨翔电子有限公司 CONNFLY CONNFLY ELECTRONIC CO. LTD			
DRAWING TYPE		CUSTOMER					
SCALE	1:1	SHEET	1 OF 1				
DRAWING NO.		C-T-DS1073-02-PCX00-A					