

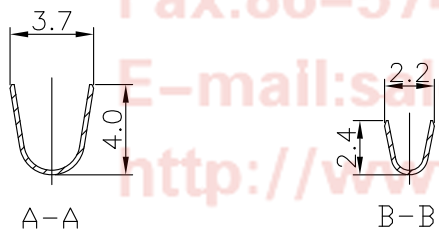
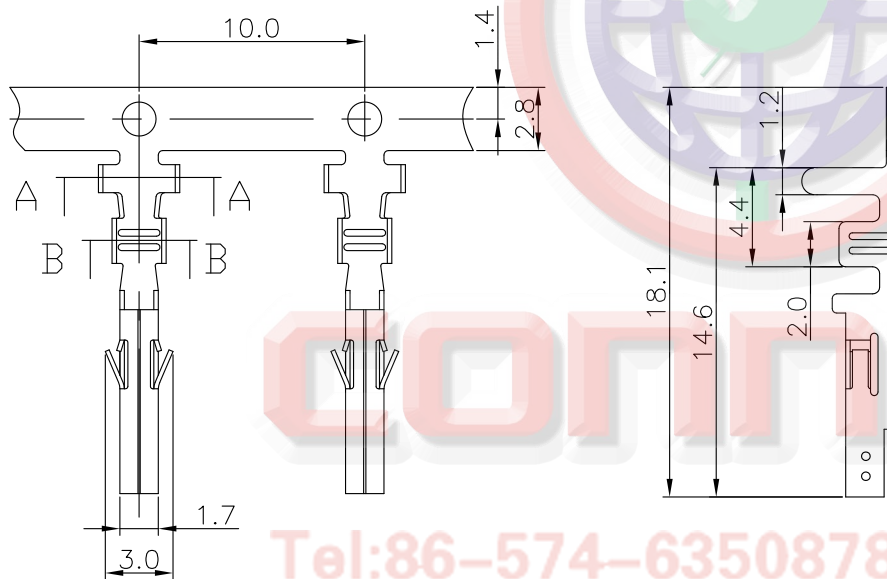
REV.	DESCRIPTION	DRAWN	CHECKED	APPROVED
A	NEW RELEASE	JLZ 02/04/15'	~	

Notes:

- 1.Materials: Copper Alloy.
- 2.Packing Type: Reel Paper,4.5K/Reel
- 3.Part Number Code:

T - DS1073-02 - S C X 0 0

Plating
6: Full Tin



Tel:86-574-63508787

Fax:86-574-63510817

E-mail:sales@connfly.com

http://www.connfly.com

Add:East Industry Zone KuangYan

Town Cixi Ningbo China

P.C:315333

GENERAL TOLERANCE		ANGLE TOLERANCE		PROJECTION	TITLE
X.	±0.50	X.	±5°		DS1073-02 Female Terminal
.X	±0.35	.X	±3°	mm	
.XX	±0.20	.XX	±2°	A4	SERIES DS1073-02 SERIES
DRAWING TYPE		CUSTOMER		晨翔电子有限公司 CONNFLY CONNFLY ELECTRONIC CO. LTD	
SCALE		1:1	SHEET 1 OF 1		
DRAWING NO.		C-T-DS1073-02-SCX00-A			