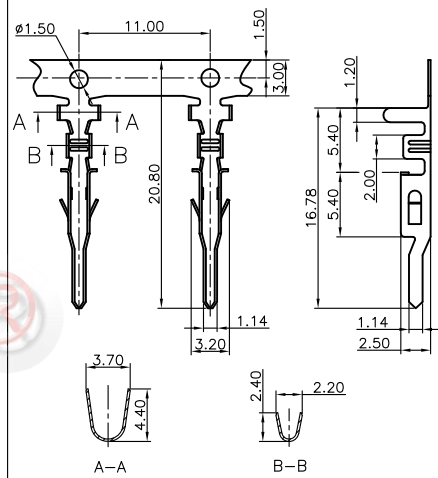


REV.	DESCRIPTION	DRAWN	CHECKED	APPROVED
A	NEW RELEASE	YCH 12/15/07'	~	

Male contact



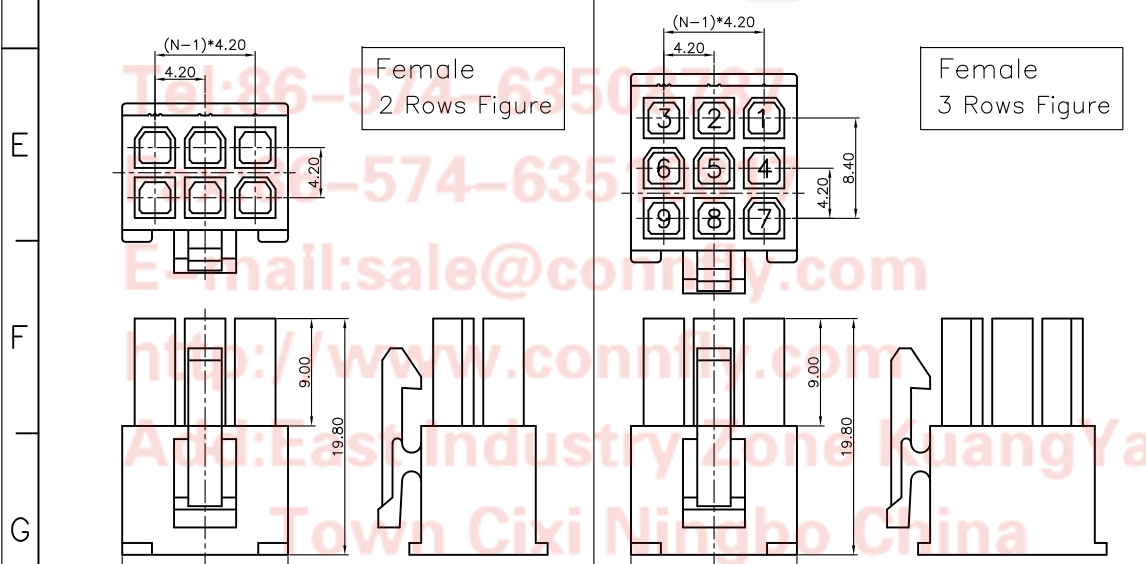
NOTES:

- MAIN SPECIFICATIONS
  - Housing material: NYLON 66
  - Rated voltage: 250V
  - Rated current: 3A
  - Contact resistance:  $\leq 100m\Omega$
  - Insulation resistance:  $\geq 1000M\Omega$
  - Withstanding voltage: 500V, AC 1 minute
  - Temperature range:  $-25^{\circ}C \sim +85^{\circ}C$
  - Recommend PC board thickness: 1.6mm

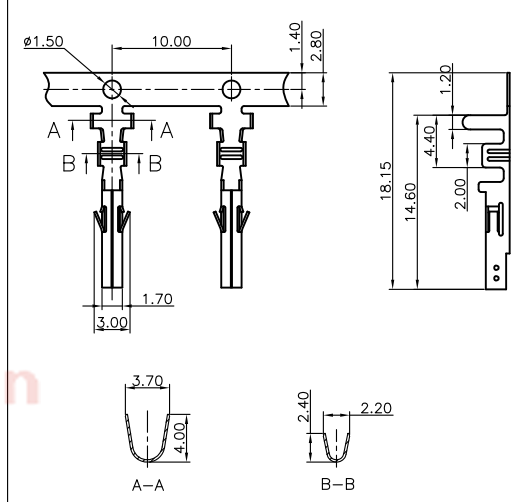
2. PRODUCT NUMBER CODE:

DS1073-02 - X X X X X

- Contact Plating
  - 6: Tin
  - 8: Full gold flash
- Housing Color
  - T: Transparent
- Mounting type
  - C: Crimp type
- Connector type
  - M: Male
  - F: Female
- No. of contact
  - 2\*2 - 2\*10
  - 3\*2 - 3\*10
- Rows



Female contact



GENERAL TOLERANCE		ANGLE TOLERANCE		PROJECTION		TITLE	ATX CONNECTOR PITCH 4.2mm
X.	$\pm 0.60$	X.	$\pm 5^{\circ}$	UNITS	mm		Crimp typr
.X	$\pm 0.38$	.X	$\pm 3^{\circ}$	SHEET SIZE	A4	SERIES	DS1073-02 SERIES
.XX	$\pm 0.25$	.XX	$\pm 2^{\circ}$	<b>晨翔电子有限公司</b> <b>CONNFLY CONNFLY ELECTRONIC CO. LTD</b>			
DRAWING TYPE		CUSTOMRE					
SCALE		1:1					
DRAWING NO.		C-DS1073-02-XXXXX-A		SHEET		1 OF 1	

TEL: 86-574-6350000  
 TEL: 86-574-6350000  
 E-mail: sale@connfly.com  
 http://www.connfly.com  
 Add: East Industry Zone, Kuang/Yan  
 Town Cixi Ningbo China  
 P.C: 315333