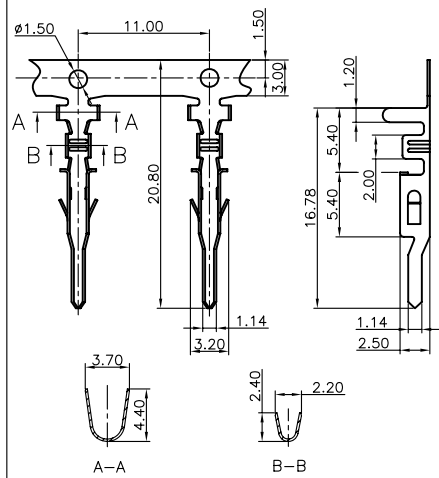


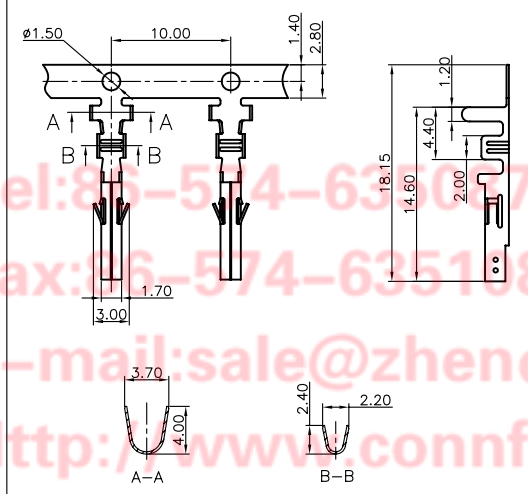
REV.	DESCRIPTION	DRAWN	CHECKED	APPROVED
A	NEW RELEASE	YCH 12/15/07'	~	

Male contact

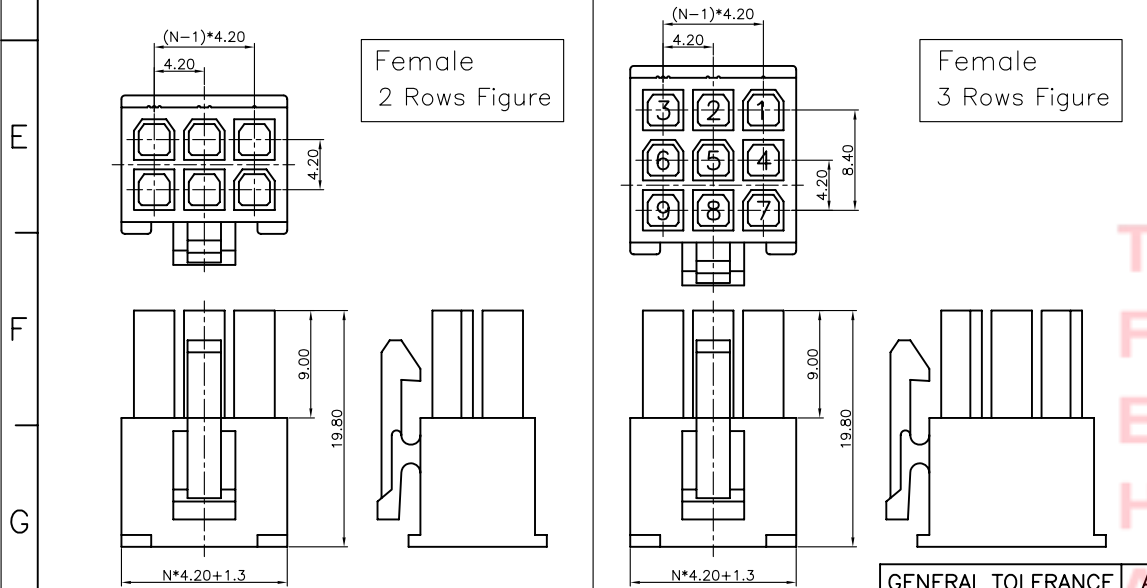


- NOTES:
- MAIN SPECIFICATIONS
 - Housing material: NYLON 66
 - Rated voltage: 250V
 - Rated current: 3A
 - Contact resistance: $\leq 100m\Omega$
 - Insulation resistance: $\geq 1000M\Omega$
 - Withstanding voltage: 500V, AC 1 minute
 - Temperature range: $-45 \sim +110^{\circ}C$
 - Recommend PC board thickness: 1.6mm
 - PRODUCT NUMBER CODE:
 - DS1073-02 - X X X X X


Female contact



- Contact Plating
 - 6: Tin
 - 8: Full gold flash
- Housing Color
 - T: Transparent
- Mounting type
 - C: Crimp type
- Connector type
 - M: Male
 - F: Female
- No. of contact
 - 2*2 - 2*10
 - 3*2 - 3*10
- Rows



GENERAL TOLERANCE		ANGLE TOLERANCE		PROJECTION		TITLE		ATX CONNECTOR PITCH 4.2mm	
X.	± 0.60	X.	$\pm 5^{\circ}$	UNITS	mm	Crimp typr		Crimp typr	
.X	± 0.38	.X	$\pm 3^{\circ}$	SHEET SIZE	A4	SERIES	DS1073-02 SERIES		
.XX	± 0.25	.XX	$\pm 2^{\circ}$	DRAWING TYPE CUSTOMRE					
DRAWING TYPE		CUSTOMRE		SCALE		SHEET		1 OF 1	
DRAWING NO.		C-DS1073-02-XXXXX-A		DRAWING NO.					


晨翔电子有限公司
CONNFly CONNFly ELECTRONIC CO. LTD

Tel: 86-574-63510787
 Fax: 86-574-63510817
 E-mail: sale@zhenqin.com.cn
 Http://www.connfly.com