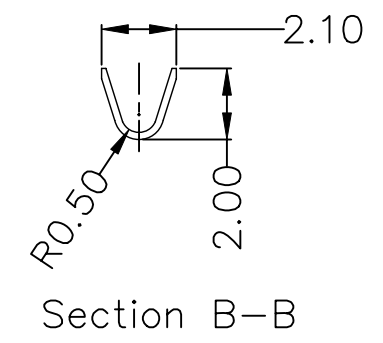
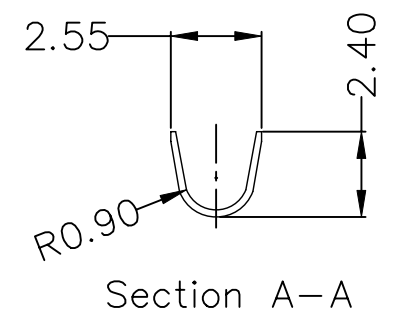
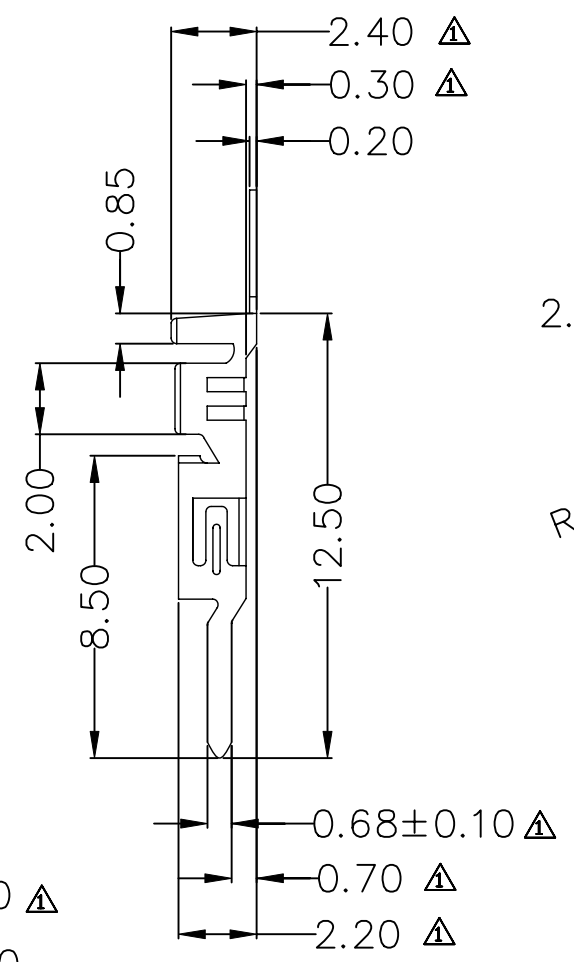
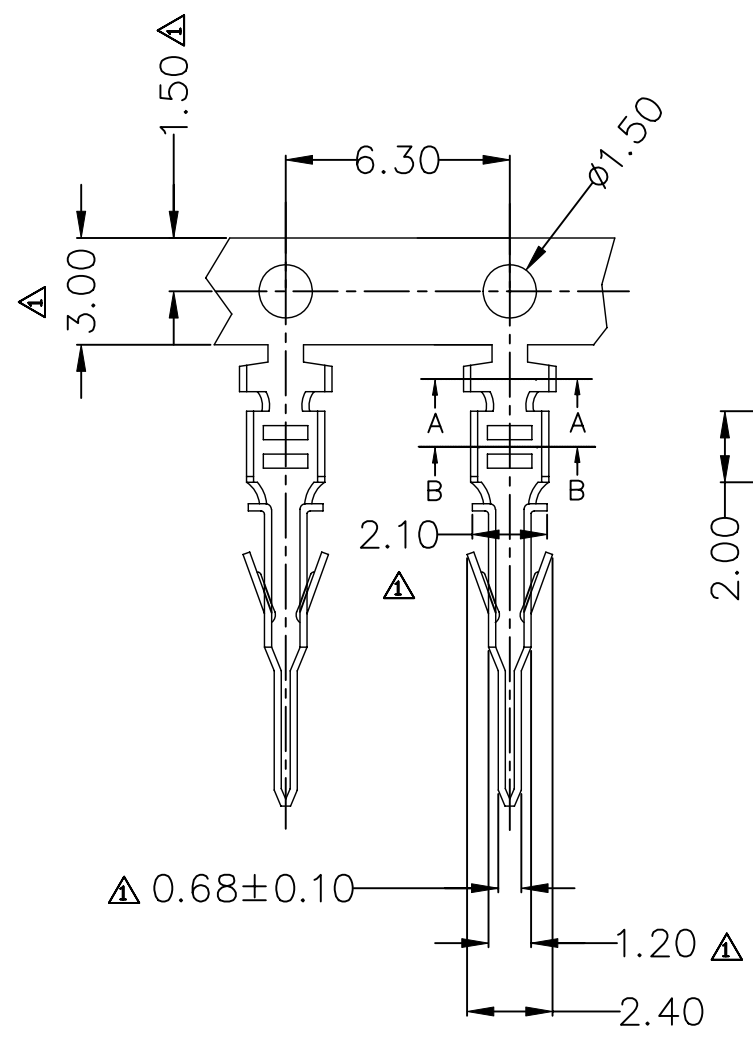


SPECIFICATIONS
 Material: Phosphor Bronze
 Finish: Tin Plated Over Nickel Plated
 Wire Range: AWG#20~#24
 Q'ty: 10,000 Pcs/Reel
 RoHS Compliant



AUK A MEMBER OF AUK GROUP
太聯事業股份有限公司
AUK CONTRACTORS CO., LTD.

CATEGORY Terminal		APPROVED BY MEI		UNLESS OTHERWISE SPECIFIED TOLERANCES ARE .X ±0.38 .XX ±0.25 ANG.
PART No. MIF-MT-H		CHECKED BY SHIN		
DRAWING No. MIF-MT-H		DRAWING BY XF		
SCALE NONE	REV. A1	UNIT mm		

NO.	REV.	REVISIONS	CHK	DATE
△ A1		Maked △ Were Changed	XF	09/18/2009
△ A0		NEW RELEASE	TFC	04/21/2006