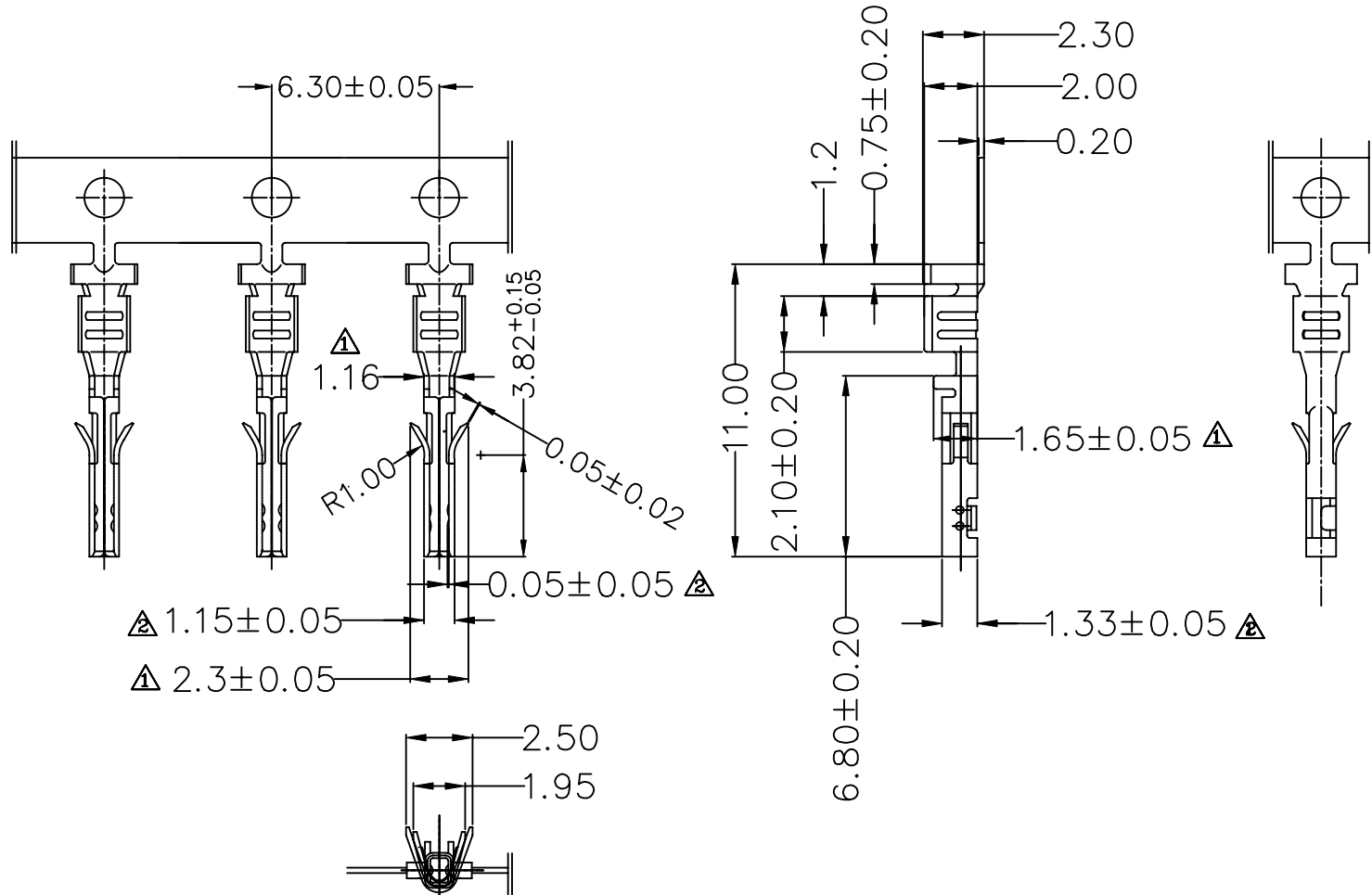


SPECIFICATIONS
 Material: Phosphor Bronze
 Finish: Tin Plated Over Nickel Plated
 Wire Range: AWG#20~#24
 Q'ty: 10,000 Pcs/Reel
 RoHS Compliant



A MEMBER OF AUK GROUP
太聯事業股份有限公司
AUK CONTRACTORS CO., LTD.

CATEGORY Terminal		APPROVED BY MEI		UNLESS OTHERWISE SPECIFIED TOLERANCES ARE					
PART No. MIF-FT-H		CHECKED BY SHIN		.X ±0.38		⚠ A2	Maked ⚠ Were Changed	XF	09/18/2009
DRAWING No. MIF-FT-H		DRAWING BY XF		.XX ±0.25		⚠ A1	Add Dim. 1.16&1.65±0.05 Modify Dim. 2.20 → 2.3±0.05	LHC	07/18/2007
SCALE NONE		REV. A2		ANG.		⚠ A0	NEW RELEASE	TFC	04/21/2006
				UNIT mm		NO. REV.	REVISIONS	CHK	DATE