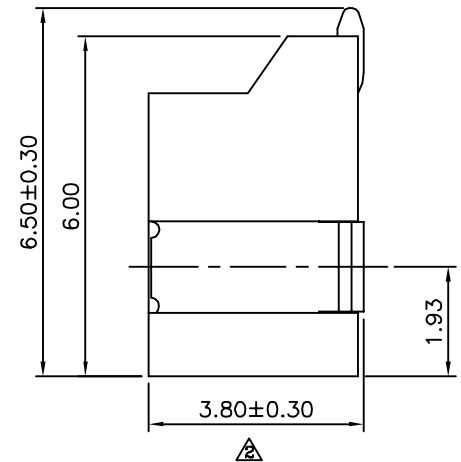
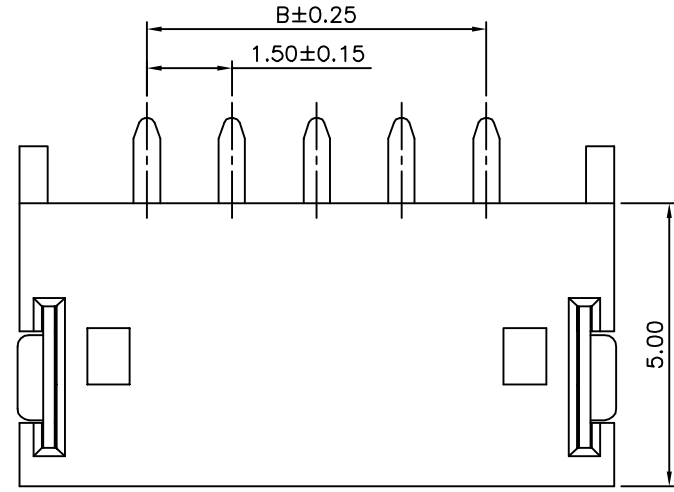


Recommended P.C.B Layout(Top Side)
P.C.B Thickness=1.20mm(Tolerance=±0.05)

△ SPECIFICATION
 Current Rating:1A AC/DC
 Voltage Rating:50V AC/DC
 Withstanding Voltage:500V AC/Minute
 Contact Resistance:20 Milliohms Max.
 Insulation Resistance:500 Megaohms Min.
 Temperature Range:-25°C~+85°C
 Pin:Brass,Matte Tin Plated Over Nickel
 Latch:Brass,Matte Tin Plated Over Nickel
 Insulator:PA9T,Nature
 RoHS Compliant

- △ ZH XX W - R1K - H**
 (1) (2) (3) (4) (5)
- (1) ZH:1.5mm ZH Series
 - (2) XX:No. Of Position
 - (3) W:SMT Right Angle
 - (4) R1K:Tape&Reel 1000 PCS/Reel
 - (5) H:RoHS Compliant

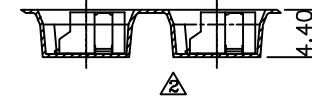
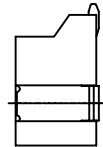
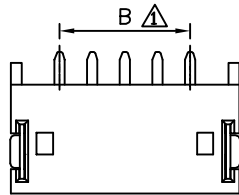
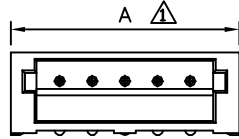
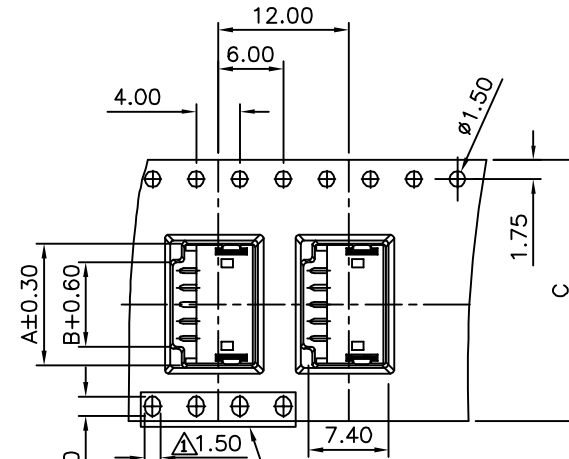
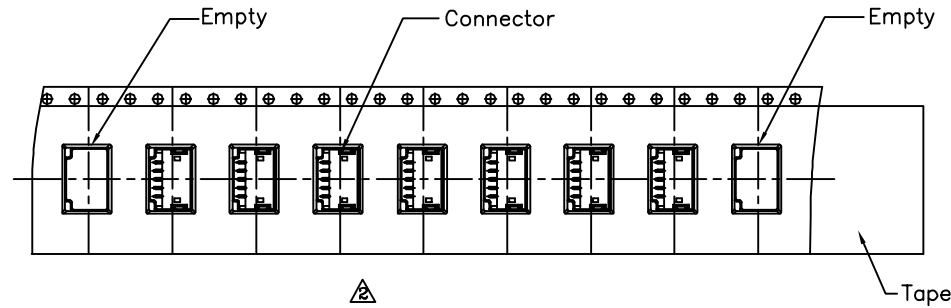
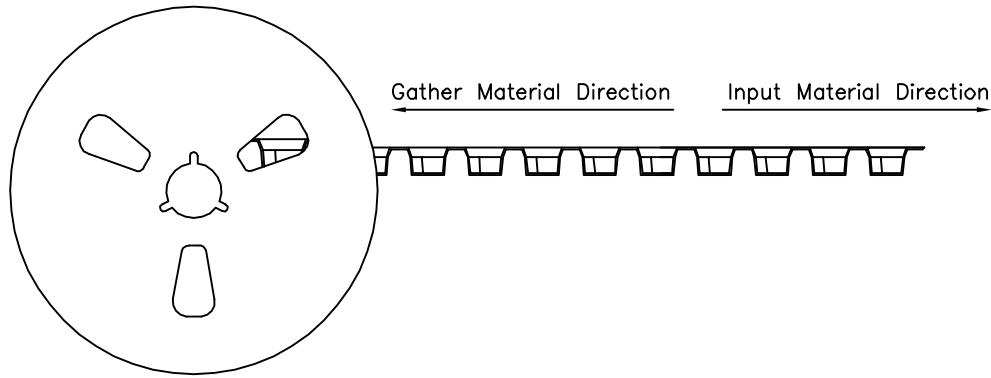


Pin	A	B
02	6.00	1.50
03	7.50	3.00
04	9.00	4.50
05	10.50	6.00
06	12.00	7.50
07	13.50	9.00
08	15.00	10.50
09	16.50	12.00
10	18.00	13.50
11	19.50	15.00
12	21.00	16.50
13	22.50	18.00

AUK A MEMBER OF AUK GROUP
太聯事業股份有限公司
AUK CONTRACTORS CO., LTD.

CATEGORY		APPROVED BY		UNLESS OTHERWISE SPECIFIED TOLERANCES ARE .X ±0.25 .XX ±0.20 .XXX ±0.10	△ B3	Add Code	HZF	03/20/2013
PART No. ZHXXW-R1K-H		EMILY			△ B2	Modify Data	HZF	05/17/2011
DRAWING No. ZHXXW-R1K-H		CHECKED BY		△ B1	Modify Data	HZF	09/15/2009	
SCALE		NONE	REV.	SONG	△ B0	Modify P/N:ZHXXW-H → ZHXXW-R1K-H	HZF	03/23/2009
			B3	UNIT	△ B0	NEW RELEASE	HZF	03/23/2009
				mm	NO.REV.	REVISIONS	CHK	DATE

SPECIFICATION
 Q'ty:1000 PCS/Reel
 RoHS Compliant



Pin	A	B	C
2	6.00	1.50	16.0
3	7.50	3.00	
4	9.00	4.50	
5	10.50	6.00	24.0
6	12.00	7.50	
7	13.50	9.00	
8	15.00	10.50	32.0
9	16.50	12.00	
10	18.00	13.50	
*11	19.50	15.00	44.0
*12	21.00	16.50	
*13	22.50	18.00	

When C>32.0mm(Include C=32.0mm)
 The Bottom Hole Of Tape Will Be Shown

The "*"Pin Of Tape&Reel Packaging Tooling Is Not Already

AUK A MEMBER OF AUK GROUP
太聯事業股份有限公司
AUK CONTRACTORS CO., LTD.

CATEGORY		APPROVED BY		UNLESS OTHERWISE SPECIFIED TOLERANCES ARE .X ±0.38 .XX ±0.25
PART No. ZHXXW-R1K-H		EMILY		
DRAWING No. ZHXXW-R1K-H		CHECKED BY HZF		
SCALE		REV.		UNIT mm
NONE		B3		

△ B3	Add Code	HZF	03/20/2013
△ B2	Modify Data	HZF	05/17/2011
△ B1	Modify Data	HZF	09/15/2009
△ B0	Modify P/N:ZHXXW-H → ZHXXW-R1K-H	HZF	03/23/2009
△ B0	NEW RELEASE	HZF	03/23/2009
NO.REV.	REVISIONS	CHK	DATE