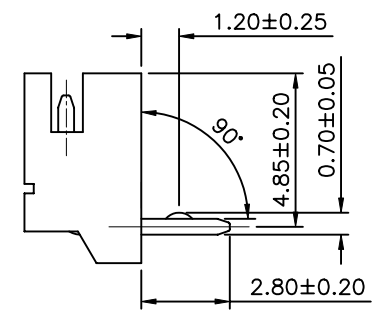
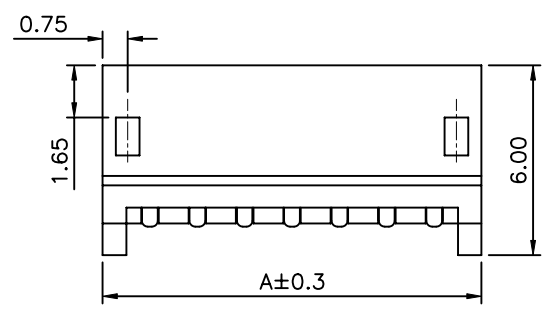
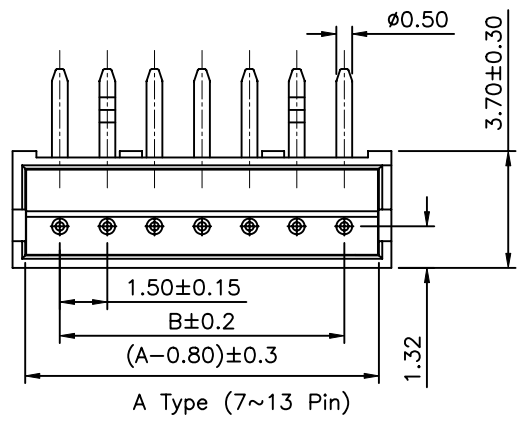
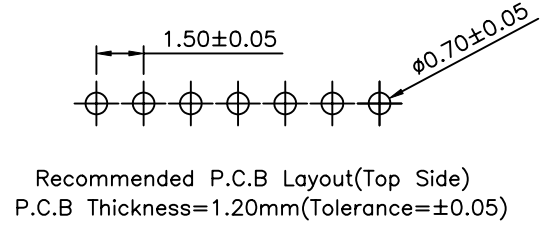
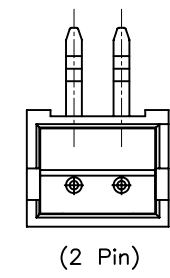
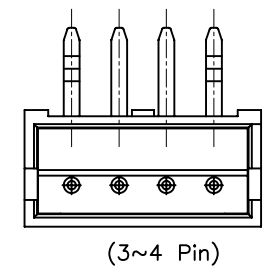
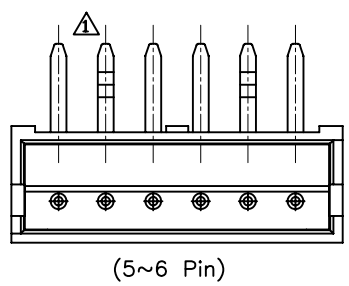


**SPECIFICATION**

Current Rating:1A AC/DC  
 Voltage Rating:50V AC/DC  
 Withstanding Voltage:500V AC/Minute  
 Contact Resistance:20 Milliohms Max.  
 Insulation Resistance:500 Megaohms Min.  
 Temperature Range:-25°C ~ +85°C  
 Pin: Brass(C2680)  $\phi 0.50 \times 8.90$ , Tin Plated  
 Insulation: PA66+15%G.F UL94V-0, Gray  
 RoHS Compliant



Circuits	Dim A	Dim B
2	4.50	1.50
3	6.00	3.00
4	7.50	4.50
5	9.00	6.00
6	10.50	7.50
7	12.00	9.00
8	13.50	10.50
9	15.00	12.00
10	16.50	13.50
11	18.00	15.00
12	19.50	16.50
13	21.00	18.00



**AUK** A MEMBER OF AUK GROUP  
**太聯事業股份有限公司**  
**AUK CONTRACTORS CO., LTD.**

CATEGORY		APPROVED BY		UNLESS OTHERWISE SPECIFIED TOLERANCES ARE .X ±0.25 .XX ±0.20 .XXX ±0.10 .X* ±2° .XX* ±1°
PART No. ZHXXR-H		MEI		
DRAWING No. ZHXXR-H		CHECKED BY HZF		
SCALE NONE		DRAWING BY LXX		UNIT mm
REV. B1		REV. B1		

NO.	REV.	REVISIONS	CHK	DATE
△ B1		Modify Data	HZF	04/20/2009
△ B0		NEW RELEASE	HZF	01/02/2009