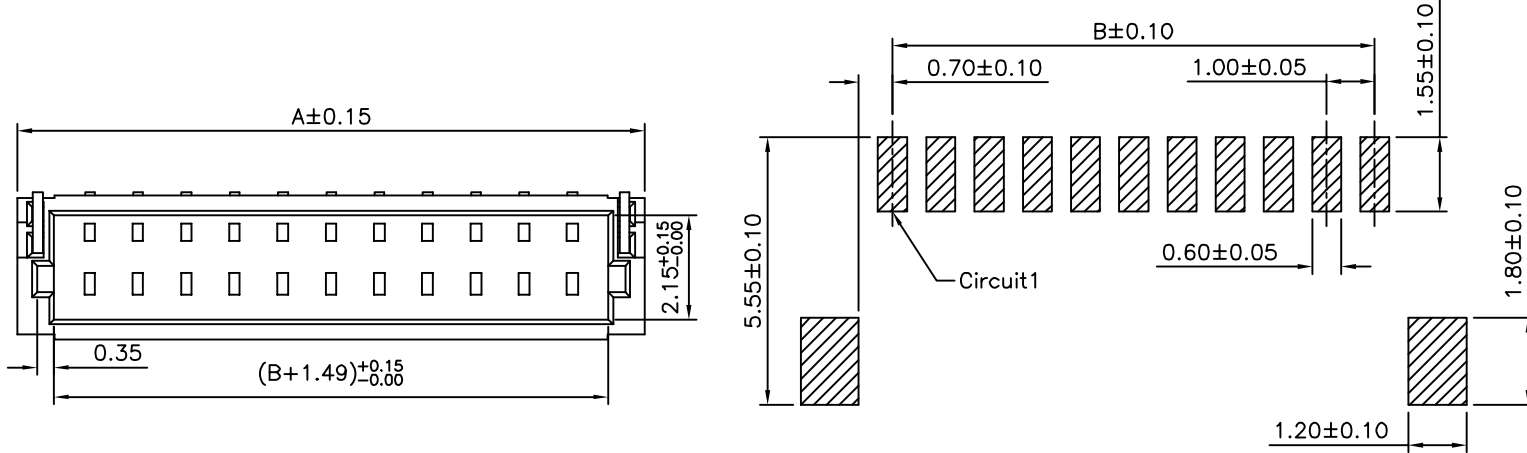
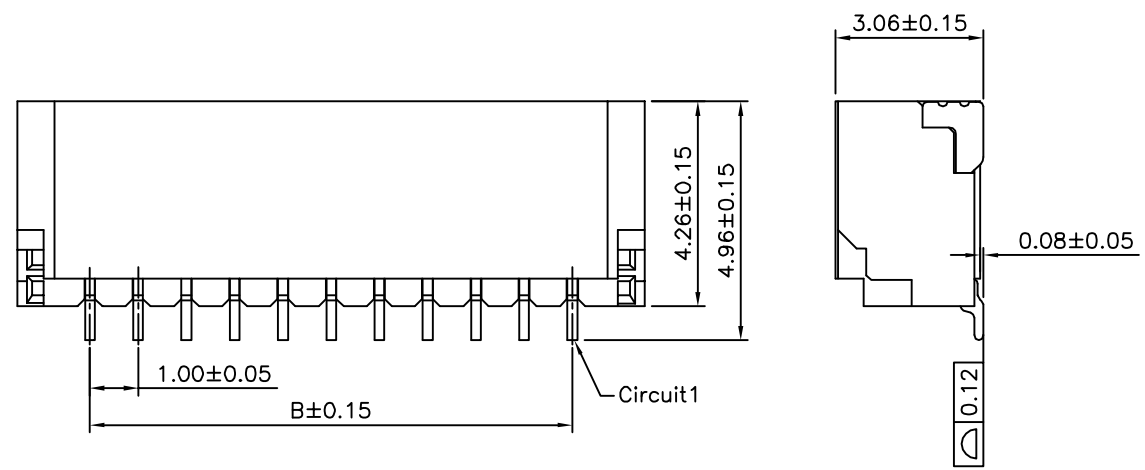


**SPECIFICATION**  
 Current Rating:1A AC/DC  
 Voltage Rating:50V AC/DC  
 Withstanding Voltage:500V AC/Minute  
 Contact Resistance:20 Milliohms Max.  
 Insulation Resistance:500 Megaohms Min.  
 Temperature Range:-25°C~+85°C  
 RoHS Compliant



Recommended P.C.B Layout(Top Side)  
 P.C.B Thickness=1.20~1.60mm(Tolerance=±0.05)

- SH XX W - R1K - H  
 (1) (2) (3) (4) (5)
- (1) SH:1.0 SH Series
  - (2) XX:No. Of Position/Per Row
  - (3) W:SMT Right Angle
  - (4) R1K:Tape&Reel 1000 PCS/Reel
  - (5) H:RoHS Compliant



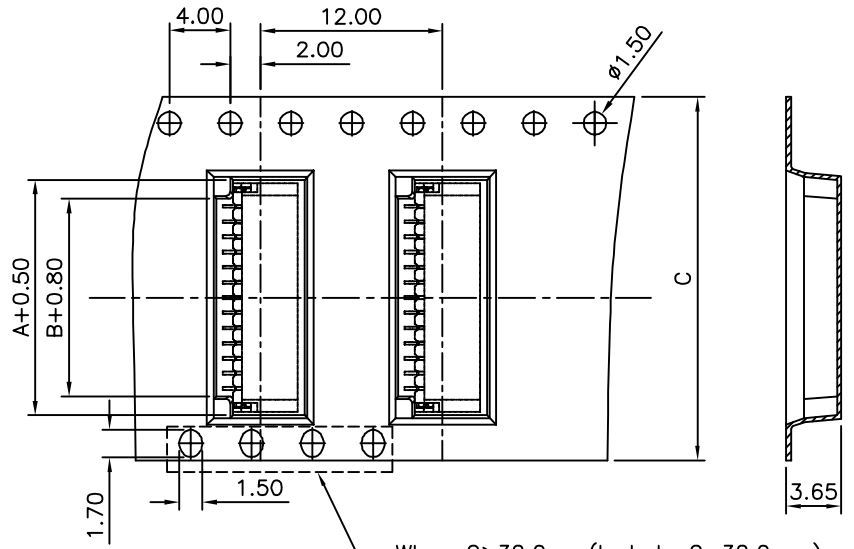
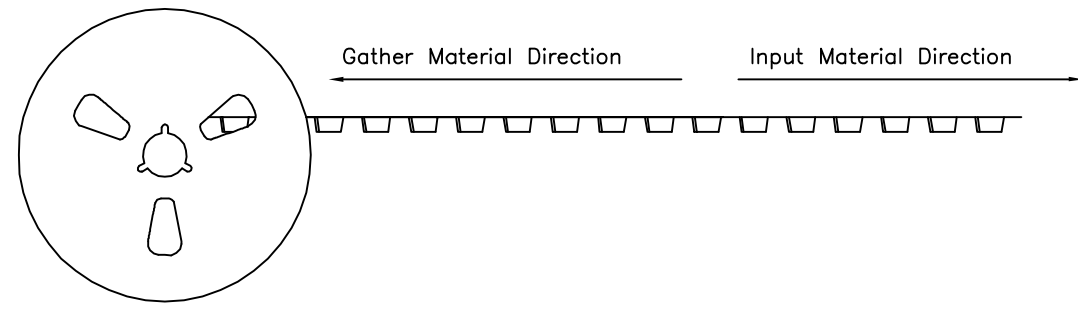
Pin	A	B	Pin	A	B
2	4.00	1.00	12	14.00	11.00
3	5.00	2.00	13	15.00	12.00
4	6.00	3.00	14	16.00	13.00
5	7.00	4.00	15	17.00	14.00
6	8.00	5.00	16	18.00	15.00
7	9.00	6.00	17	19.00	16.00
8	10.00	7.00	18	20.00	17.00
9	11.00	8.00	19	21.00	18.00
10	12.00	9.00	20	22.00	19.00
11	13.00	10.00			

Name	Material	Remark
Fixed Slice	Brass	Matte Tin Over Nickel
Terminal	Brass	Matte Tin Over Nickel
Housing	PA9T,UL94V-0	Nature

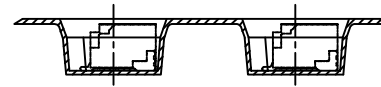
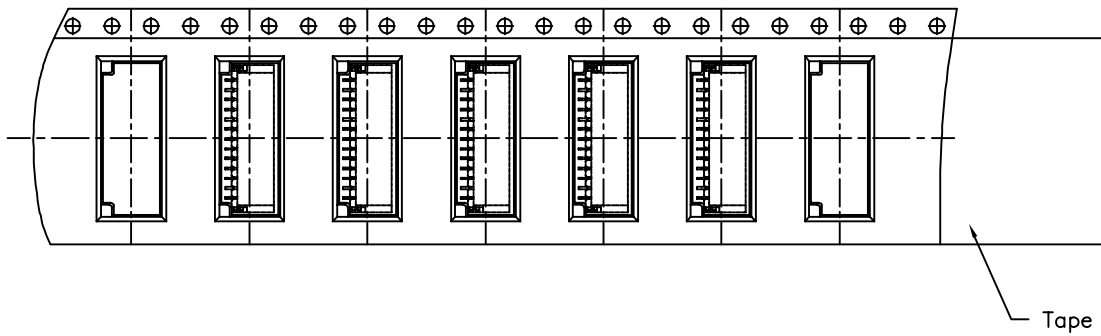
**AUK** A MEMBER OF AUK GROUP  
**太聯事業股份有限公司**  
**AUK CONTRACTORS CO., LTD.**

CATEGORY		APPROVED BY		UNLESS OTHERWISE SPECIFIED TOLERANCES ARE .X ±0.25 .x' ±2' .XX ±0.20 .xx' ±1' .XXX ±0.10
PART No. SHXXW-R1K-H		MEI		
DRAWING No. SHXXW-R1K-H		HZF		
SCALE		DRAWING BY		UNIT mm
NONE		WSS		
REV.	BO	REV.		NO. REV.
		BO		

BO	NEW RELEASE	HZF	05/02/2011
NO. REV.	REVISIONS	CHK	DATE



When  $C > 32.0\text{mm}$  (Include  $C = 32.0\text{mm}$ )  
The Bottom Hole Of Tape Will Be Shown



Pin	C	Reel/Box	PCS/Reel
2	16.0	16	1000
3			
4			
5			
6			
7			
*8	24.0	12	
9			
10			
*11			
12			
*13	32.0	10	
*14			
*15			
*16			
*17			
*18	44.0	8	
*19			
20			

The "\*"Pin Of Tape&Reel Packaging Tooling Is Not Already

**AUK** A MEMBER OF AUK GROUP  
**太聯事業股份有限公司**  
**AUK CONTRACTORS CO., LTD.**

CATEGORY		APPROVED BY		UNLESS OTHERWISE SPECIFIED TOLERANCES ARE
PART No. SHXXW-R1K-H		MEI		
DRAWING No. SHXXW-R1K-H		CHECKED BY		.X ±0.25 .x* ±2* .XX ±0.20 .xx* ±1* .XXX ±0.10
SCALE NONE		HZF		
REV. NONE		DRAWING BY		UNIT mm
REV. NONE		WSS		
REV. NONE		BO		NO. REV.
REV. NONE		BO		

△ BO	NEW RELEASE	HZF	05/02/2011
NO. REV.	REVISIONS	CHK	DATE