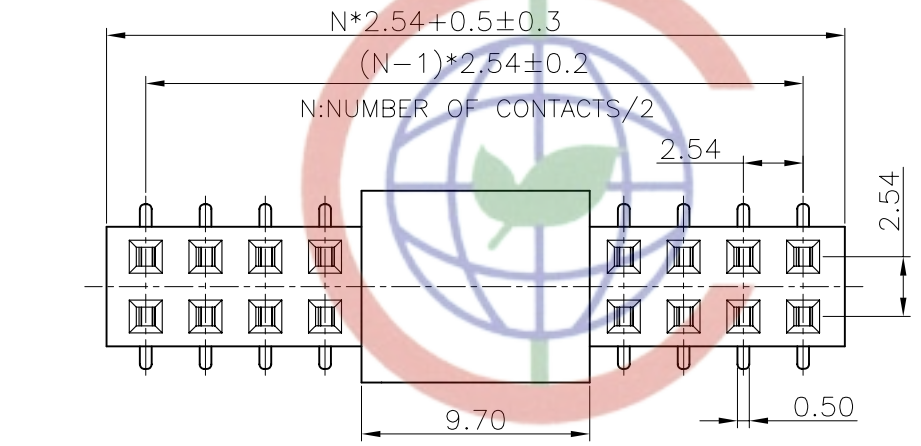
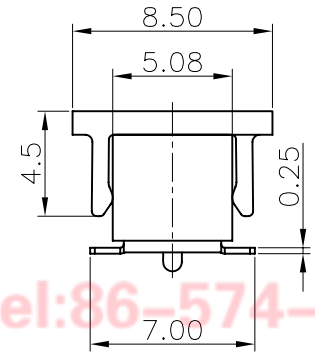


REV.	DESCRIPTION	DRAWN	CHECKED	APPROVED
A	NEW RELEASE	YCH 11/20/07'	~	

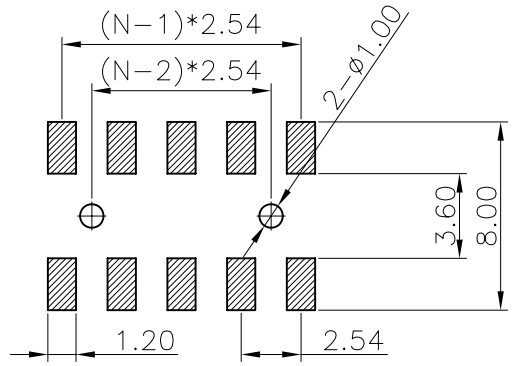
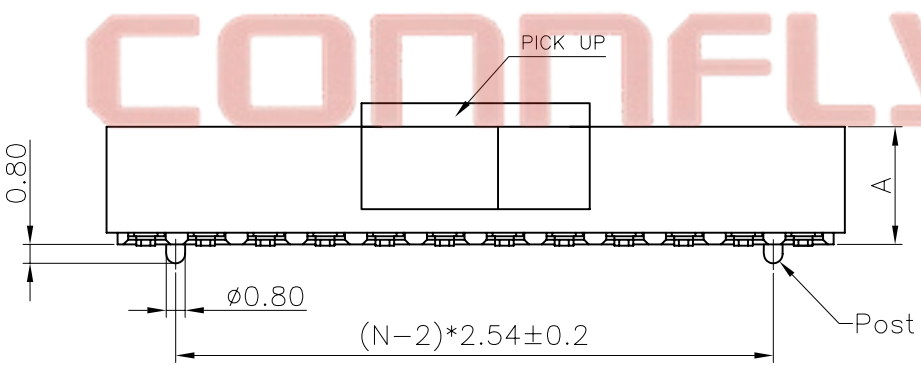


DIM.	A
TYPE 1	8.50
TYPE 2	5.00

- NOTES:
- MATERIAL
 - INSULATOR MATERIAL:THERMOPLASTIC(UL 94V-0).
 - CONTACT MATERIAL:COPPER ALLOY.
 - SPECIFICATION
 - TEMPERATURE:-40° to +105°C.
 - DIELECTRIC WITHSTANDING VOLTAGE:AC 500V AC.
 - INSULATION RESISTANCE:1000MΩ min.
 - CONTACT RESISTANCE:20mΩ max.
 - CURRENT RATING:3A.
 - PRODUCT NUMBER CODE:
DS1023-15 - X X X X X X X



- PROFILE HEIGHT(DIM A)
 - 1: 8.5mm
 - 2: 5.0mm
- POST SUPPORT
 - S:W/ POST
 - X:W/O POST
- PACKING TYPE
 - T:TRAY
 - R:TAPE ON REEL
 - B:TUBE
- PICK UP SUPPORT
 - S:W/ PICK UP
 - X:W/O PICK UP
- CONTACT PLATING
 - 8: FULL GOLD FLASH
 - 0: Selective gold flash
- HOUSING COLOR
 - B:BLACK
- No.OF CONTACTS
 - 2*2-2*40



Tel:86-574-63508787
 Fax:86-574-63510817
 E-mail:sale@zhenqin.com.cn
 Http://www.connfly.com

GENERAL TOLERANCE		ANGLE TOLERANCE		PROJECTION	⊕	TITLE	FEMALE HEADER PITCH	
X.	±0.60	X.	±5°	UNITS	mm	2.54mm SMT TYPE H=8.5/5.0mm		
.X	±0.38	.X	±3°	SHEET SIZE	A4	SERIES	DS1023-15 SERIES	
.XX	±0.25	.XX	±2°					
DRAWING TYPE		CUSTOMER		晨翔电子有限公司 CONNFLY CONNFLY ELECTRONIC CO. LTD				
SCALE		1:1	SHEET					1 OF 1
DRAWING NO.		C-DS1023-15-XXXXXXX						